

Aura Pendant

Technical Specifications



Product Details

Lighting Specifications

3K Warm white
19.2 Watts per metre
1140 Lumens per metre
24 Volt
Dimmable

Please note
Each light includes
an auxiliary dimmable
transformer.

Note for electrician:
White cable wire = Positive
Clear cable wire = Negative

Material

Solid Brass

Finishes

Brushed Brass
Aged Brass
Blackened Brass

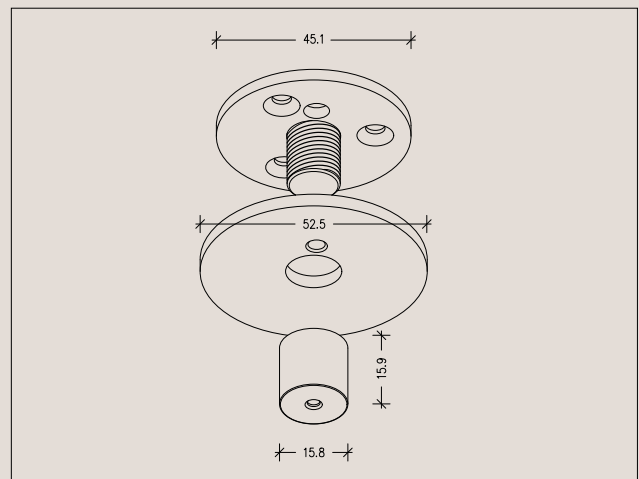
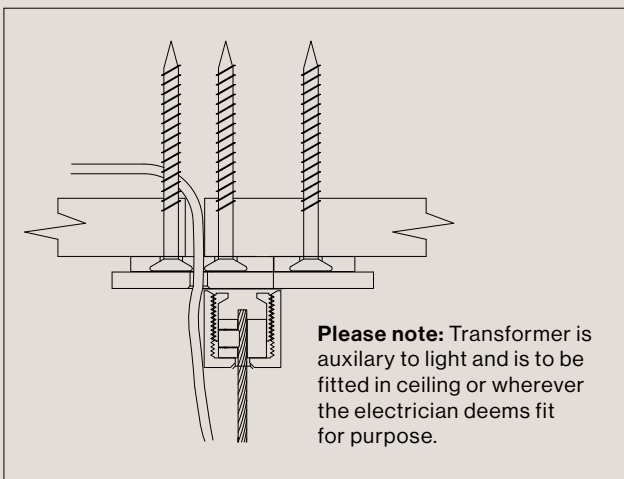
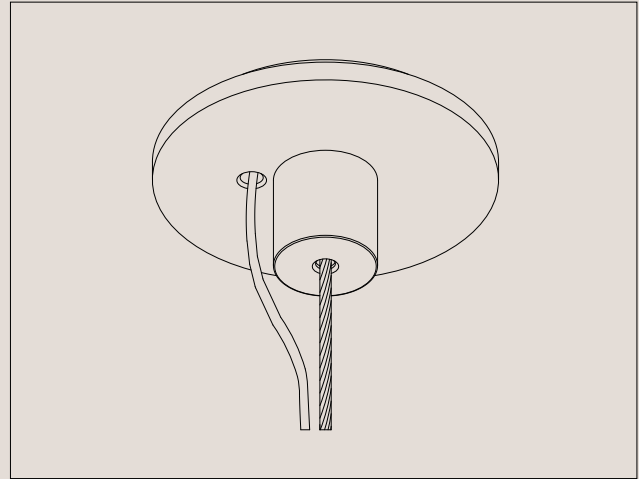
All finishes are sealed with a clear satin lacquer
unless specified otherwise.

Ceiling Height

This will be long enough to suit a floor-to-ceiling
(stud) height at a maximum of 3600 metres.

Product Details

Ceiling Rose Detail



Product Care

- Regular gentle care and maintenance will preserve and extend the life of your product.
- We suggest cleaning weekly, remove dust with a dry soft microfibre cloth, a damp microfibre cloth may be also be used for tougher areas.
- We recommend only using water. Avoid using cleaning products, oils, and other polishes as they may cause permanent damage.
- We recommend wearing gloves when installing and cleaning your products.
- Do not leave moisture, cleaning products, or solutions on the surface of our products as they may erode the lacquer.

Aura Pendant 700 Dia

Technical Specifications

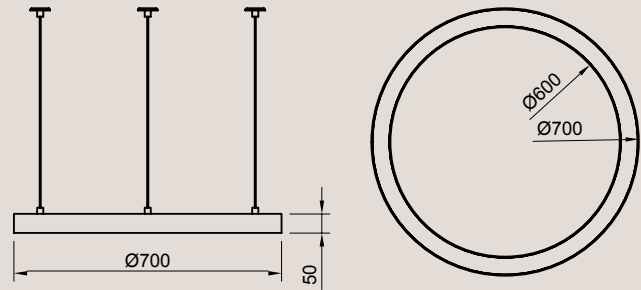
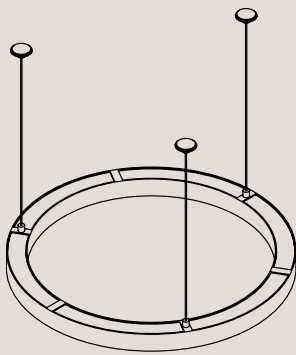
Product Details

Wire Specifications

Standard length of hanging wire is 1.8 metres.
Standard length of hanging electrical cable is 3 metres.

Dimensions (mm)

700 Dia x 50 H x 50 D



Please note: the electrical cable runs up one of the end hanging support wires and is encased in a clear plastic sleeve.

Transformer Specifications

Wattage: 60

Dimensions: 135 x 50 x 30mm

Aura Pendant 900 Dia

Technical Specifications

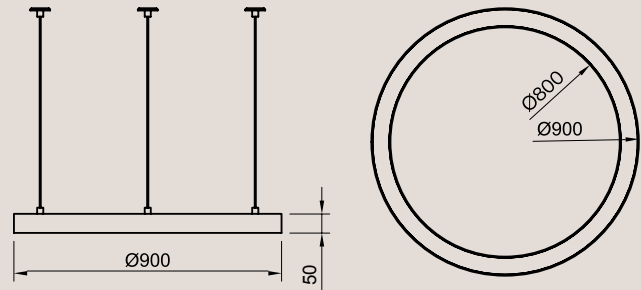
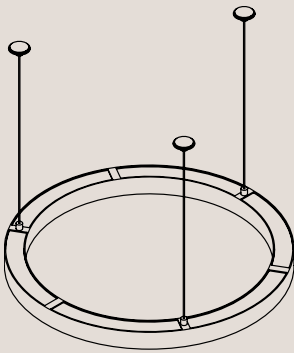
Product Details

Wire Specifications

Standard length of hanging wire is 1.8 metres.
Standard length of hanging electrical cable is 3 metres.

Dimensions (mm)

900 Dia x 50 H x 50 D



Please note: the electrical cable runs up one of the end hanging support wires and is encased in a clear plastic sleeve.

Transformer Specifications

Wattage: 60

Dimensions: 135 x 50 x 30mm

Aura Pendant 1100 Dia

Technical Specifications

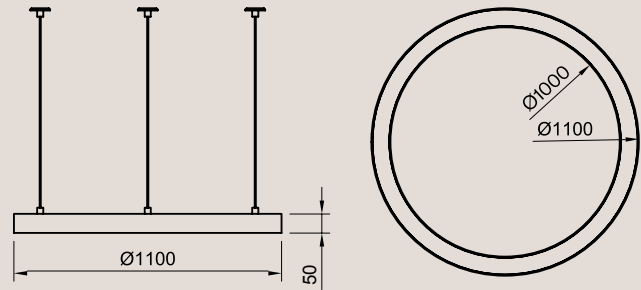
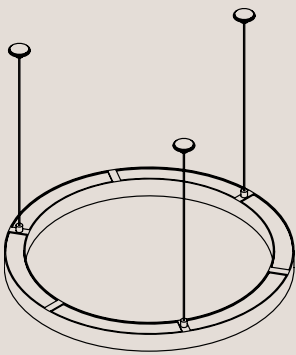
Product Details

Wire Specifications

Standard length of hanging wire is 1.8 metres.
Standard length of hanging electrical cable is 3 metres.

Dimensions (mm)

1100 Dia x 50 H x 50 D



Please note: the electrical cable runs up one of the end hanging support wires and is encased in a clear plastic sleeve.

Transformer Specifications

Wattage: 80

Dimensions: 170 x 55 x 30mm