

Dual Astral Pendant

Technical Specifications



Product Details

Lighting Specifications

3K Warm white
19.2 Watts per metre
1140 Lumens per metre
24 Volt
Dimmable

Please note:
Each light includes
an auxiliary dimmable
transformer.

Note for electrician:
White cable wire = Positive
Clear cable wire = Negative

Material

Solid Brass

Finishes

Brushed Brass
Aged Brass
Blackened Brass

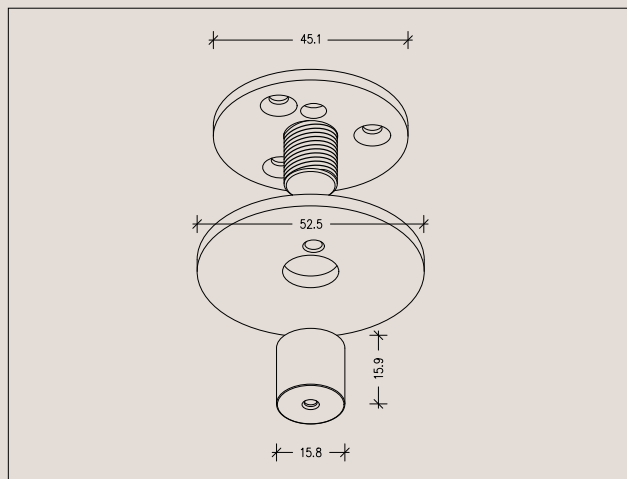
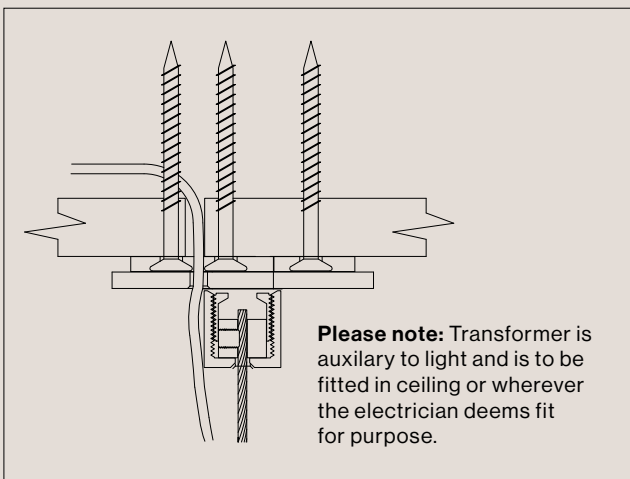
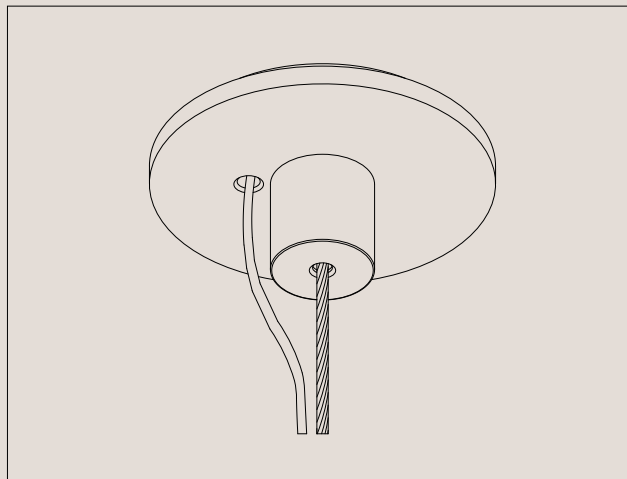
Please note:
All finishes are
sealed with a clear
satin lacquer unless
specified otherwise.

Product Dimensions (mm)

1300 L x 700 W x 2100 H
2000 L x 700 W x 2100 H

Product Details

Ceiling Rose Detail



Product Care

- Regular gentle care and maintenance will preserve and extend the life of your product.
- We suggest cleaning weekly, remove dust with a dry soft microfibre cloth, a damp microfibre cloth may be also be used for tougher areas.
- We recommend only using water. Avoid using cleaning products, oils, and other polishes as they may cause permanent damage.
- We recommend wearing gloves when installing and cleaning your products.
- Do not leave moisture, cleaning products, or solutions on the surface of our products as they may erode the lacquer.

Product Details

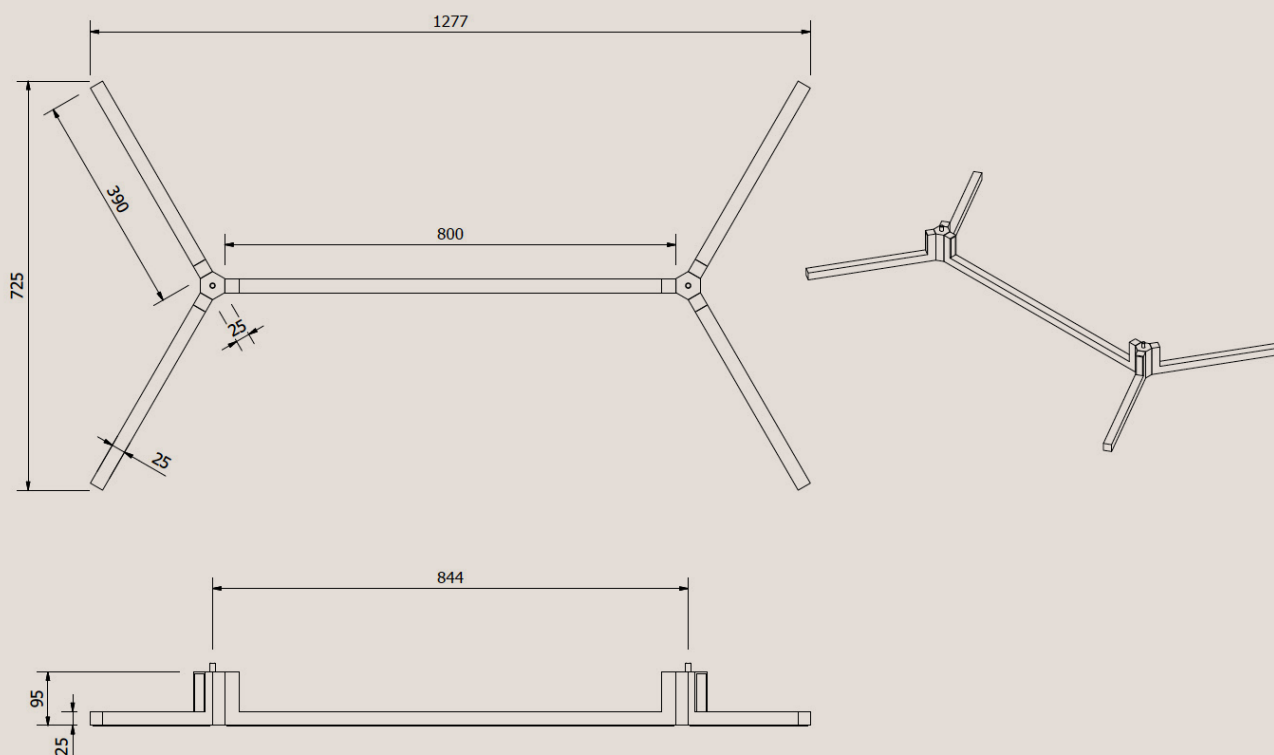
Wire Specifications (for 1300 L x 700 W x 2100 H Dual Astral Pendant).

All hanging wires are supplied at standard length of 1.8 metres and electrical cable is supplied at the standard length of 3 metres long.

Please note: The electrical cable runs up one of the hanging support wires and both are encased in a clear plastic sleeve.

Transformer Specifications

Wattage: 60
Dimensions: 135 x 50 x 30mm



Product Details

Wire Specifications (for 2000 L x 700 W x 2100 H Dual Astral Pendant).

All hanging wires are supplied at standard length of 1.8 metres and electrical cable is supplied at the standard length of 3 metres long.

Please note: The electrical cable runs up one of the hanging support wires and both are encased in a clear plastic sleeve.

Transformer Specifications

Wattage: 80
Dimensions: 170 x 55 x 30mm

