

Dual Lateral Pendant

Technical Specifications



Product Details

Lighting Specifications

3K Warm white
19.2 Watts per metre
1140 Lumens per metre
24 Volt
Dimmable

Please note:
Each light includes
an auxiliary dimmable
transformer.

Note for electrician:
White cable wire = Positive
Clear cable wire = Negative

Material

Solid Brass

Finishes

Brushed Brass
Aged Brass
Blackened Brass

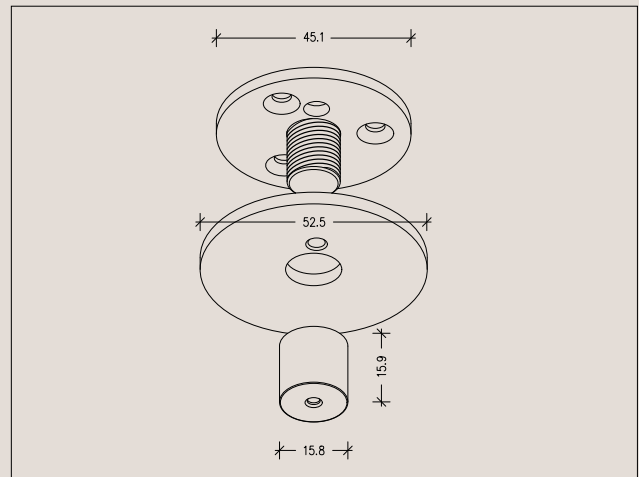
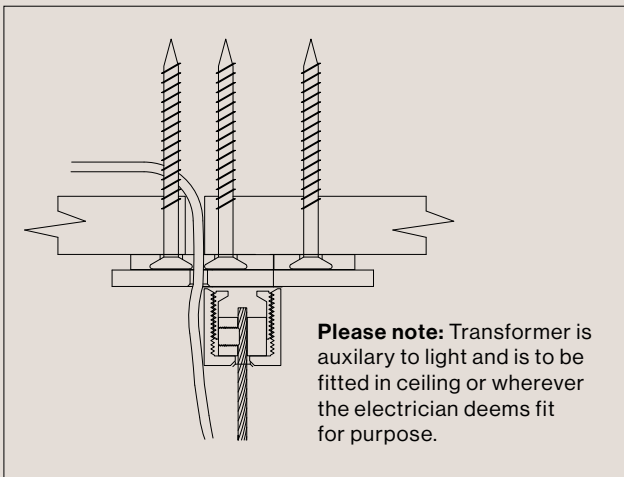
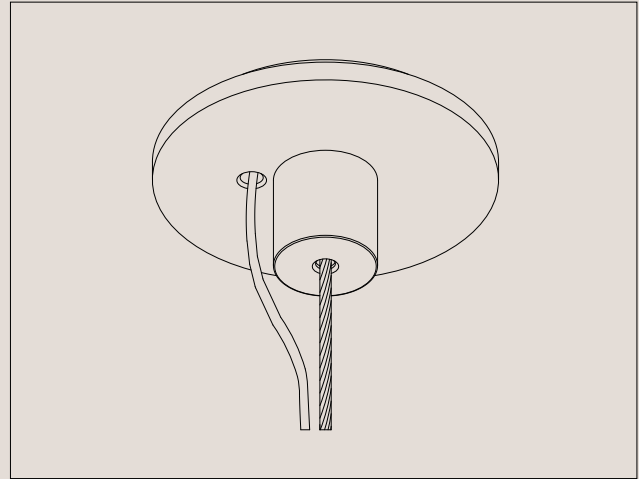
Please note:
All finishes are
sealed with a clear
satin lacquer unless
specified otherwise.

Product Dimensions (mm)

1800 L x 53 H x 25 D
2200 L x 53 H x 25 D
2800 L x 53 H x 25 D
3200 L x 53 H x 25 D

Product Details

Ceiling Rose Detail



Product Care

- **DO NOT USE** cleaning products, oils, and other polishes as they may cause permanent damage.
- Regular gentle care and maintenance will preserve and extend the life of your product.
- We suggest cleaning weekly, remove dust with a dry soft microfibre cloth, a damp microfibre cloth may be also be used for tougher areas.
- We recommend only using water.
- Do not leave moisture, cleaning products, or solutions on the surface of our products as they may erode the lacquer.
- We recommend wearing gloves when installing and cleaning your products.

Product Details

Wire Specifications (for 1800mm long Dual Lateral Pendant)

All hanging wires are supplied at standard length of 1.8 metres and electrical cable is supplied at the standard length of 3 metres long.

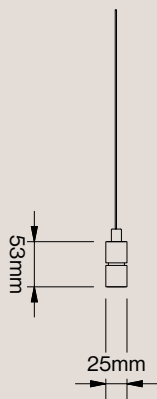
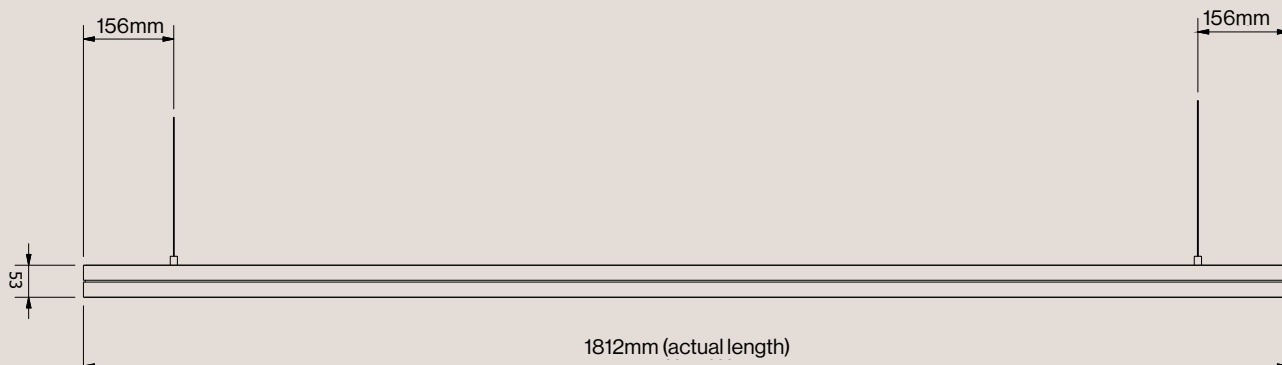
For the 1800mm long pendant, the standard hanging wires & electrical cable will be inset 156mm in from each end of the light.

Please note: The electrical cable runs up one of the hanging support wires and is encased in a clear plastic sleeve.

Transformer Specifications

Wattage: 80

Dimensions: 170 x 55 x 30mm



Product Details

Wire Specifications (for 2200mm long Lateral Pendant)

All hanging wires are supplied at standard length of 1.8 metres and electrical cable is supplied at the standard length of 3 metres long.

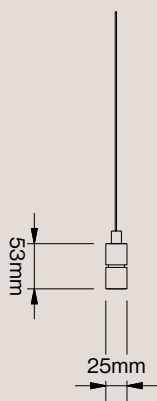
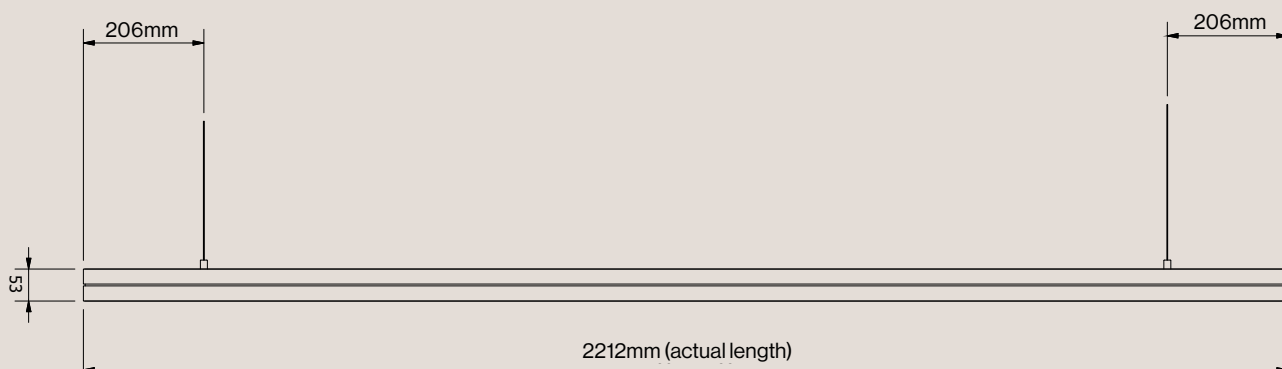
For the 2200mm long pendant, the standard hanging wires & electrical cable will be inset 206mm in from each end of the light.

Please note: The electrical cable runs up one of the hanging support wires and is encased in a clear plastic sleeve.

Transformer Specifications

Wattage: 100

Dimensions: 230 x 70 x 45mm



Product Details

Wire Specifications (for 2800mm long Dual Lateral Pendant)

All hanging wires are supplied at standard length of 1.8 metres and electrical cable is supplied at the standard length of 3 metres long.

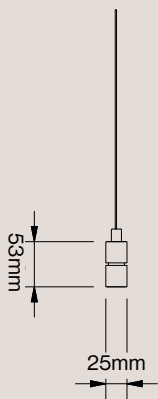
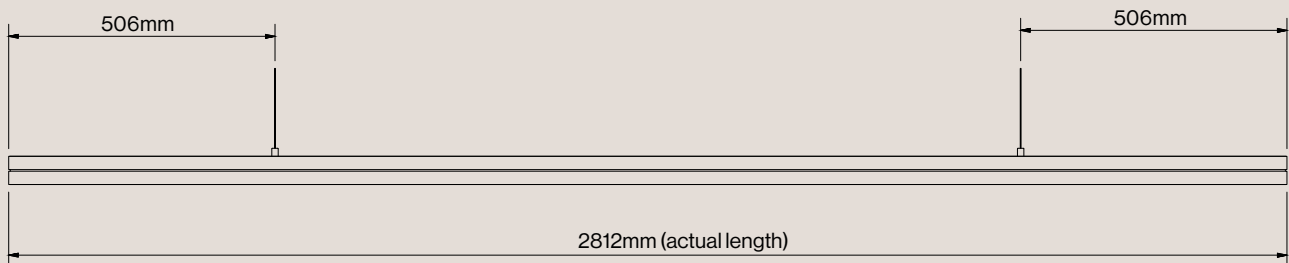
For the 2800mm long pendant, the standard hanging wires & electrical cable will be inset 506mm in from each end of the light.

Please note: The electrical cable runs up one of the hanging support wires and is encased in a clear plastic sleeve.

Transformer Specifications

Wattage: 150

Dimensions: 265 x 80 x 50mm



Product Details

Wire Specifications (for 3200mm long Dual Lateral Pendant)

All hanging wires are supplied at standard length of 1.8 metres and electrical cable is supplied at the standard length of 3 metres long.

For the 3200mm long pendant, the standard hanging wires & electrical cable will be inset 500mm in from each end of the light.

Please note: The electrical cable runs up one of the hanging support wires and is encased in a clear plastic sleeve.

Transformer Specifications

Wattage: 150

Dimensions: 265 x 80 x 50mm

