

Elevation Pendant

Technical Specifications



Product Details

Lighting Specifications

3K Warm white
19.2 Watts per metre
1140 Lumens per metre
24 Volt
Dimmable

Please note:
Each light includes
an auxiliary dimmable
transformer.

Note for electrician:
White cable wire = Positive
Clear cable wire = Negative

Material

Solid Brass

Finishes

Brushed Brass
Aged Brass
Blackened Brass

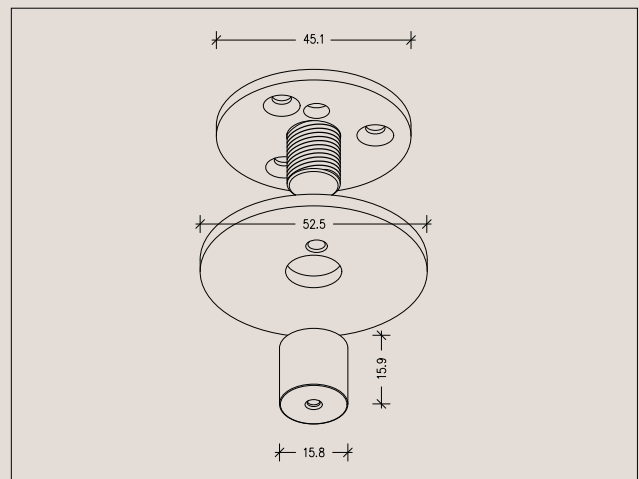
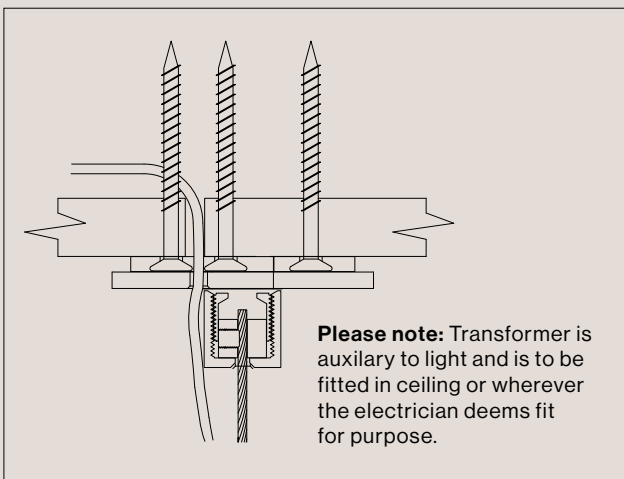
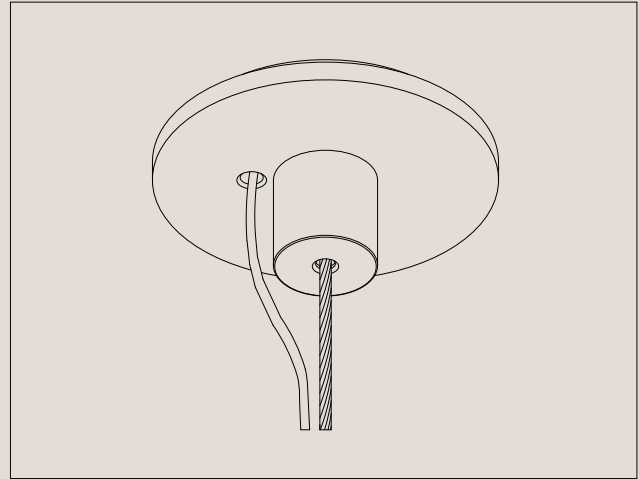
Please note:
All finishes are
sealed with a clear
satin lacquer unless
specified otherwise.

Product Dimensions (mm)

600 L x 150 H x 25 D + 1600 L x 150 H x 25 D
900 L x 150 H x 25 D + 2000 L x 150 H x 25 D

Product Details

Ceiling Rose Detail



Product Care

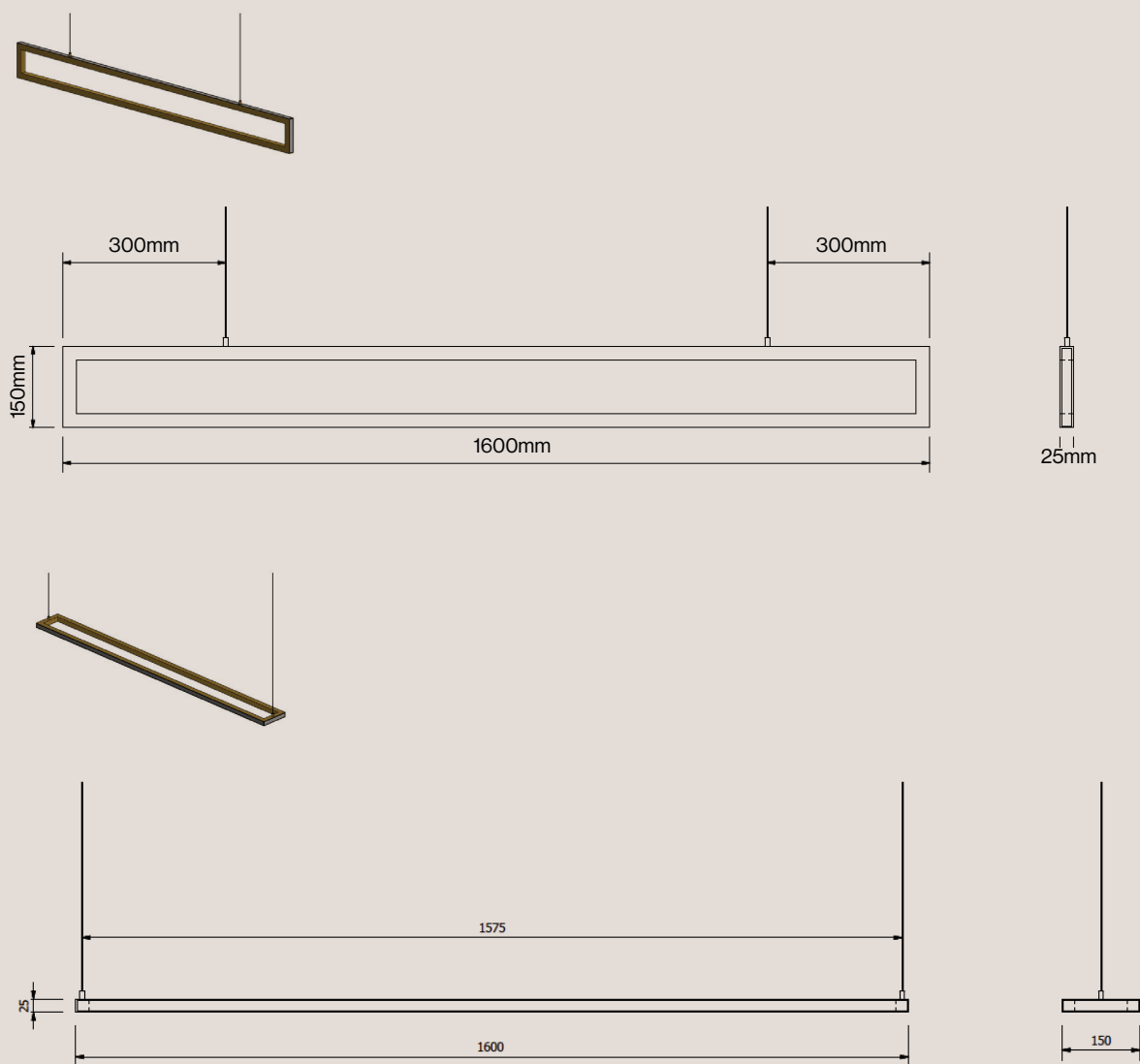
- Regular gentle care and maintenance will preserve and extend the life of your product.
- We suggest cleaning weekly, remove dust with a dry soft microfibre cloth, a damp microfibre cloth may be also be used for tougher areas.
- We recommend only using water. Avoid using cleaning products, oils, and other polishes as they may cause permanent damage.
- We recommend wearing gloves when installing and cleaning your products.
- Do not leave moisture, cleaning products, or solutions on the surface of our products as they may erode the lacquer.

Product Details

Wire Specifications (for 1600 L x 150 H x 25 D horizontal Elevation Pendant)

All hanging wires are supplied at standard length of 1.8 metres and electrical cable is supplied at the standard length of 3 metres long.

Please note: The electrical cable runs up one of the hanging support wires and both are encased in a clear plastic sleeve.

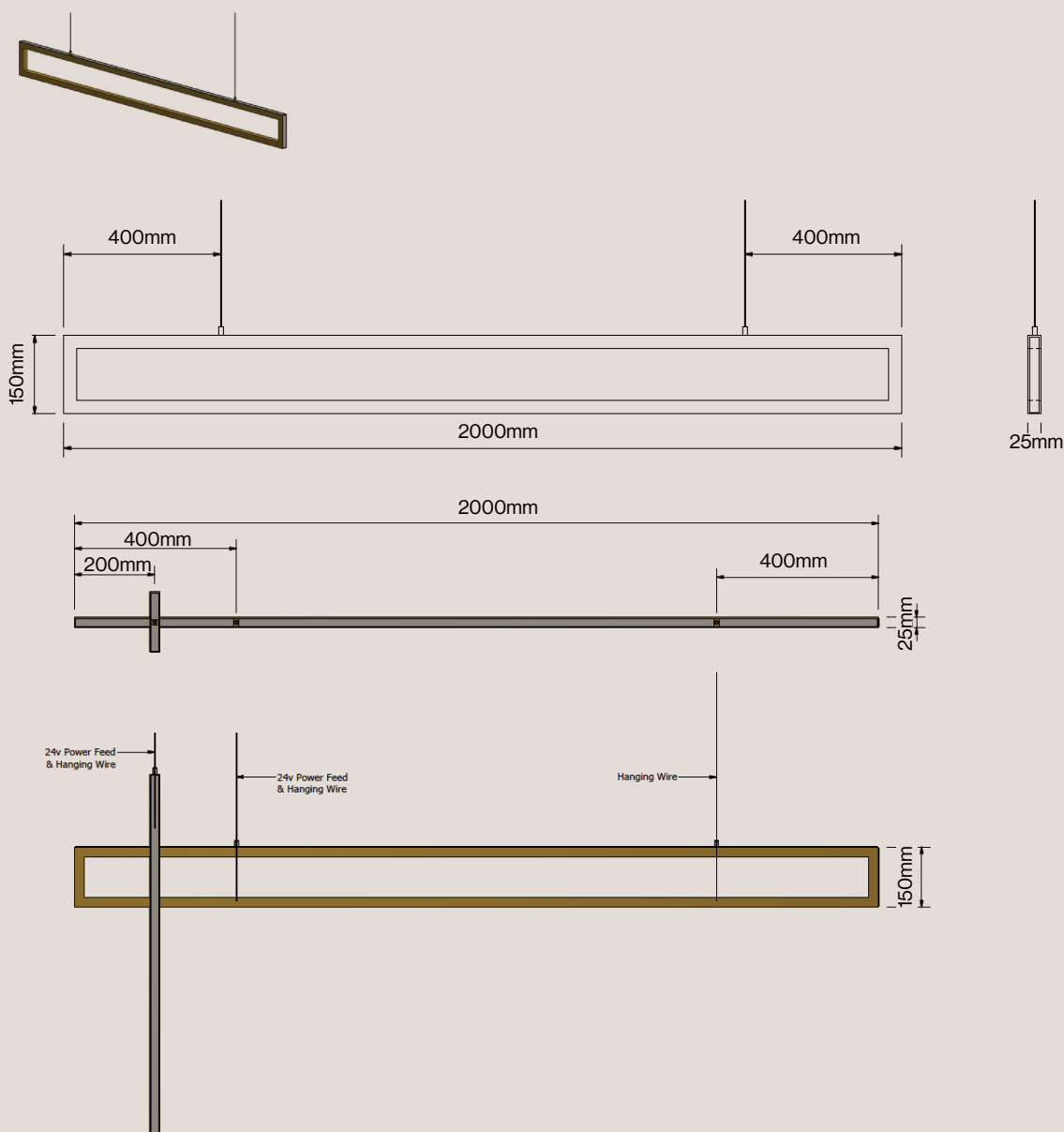


Product Details

Wire Specifications (for 2000 L x 150 H x 25 D horizontal Elevation Pendant)

All hanging wires are supplied at standard length of 1.8 metres and electrical cable is supplied at the standard length of 3 metres long.

Please note: The electrical cable runs up one of the hanging support wires and both are encased in a clear plastic sleeve.

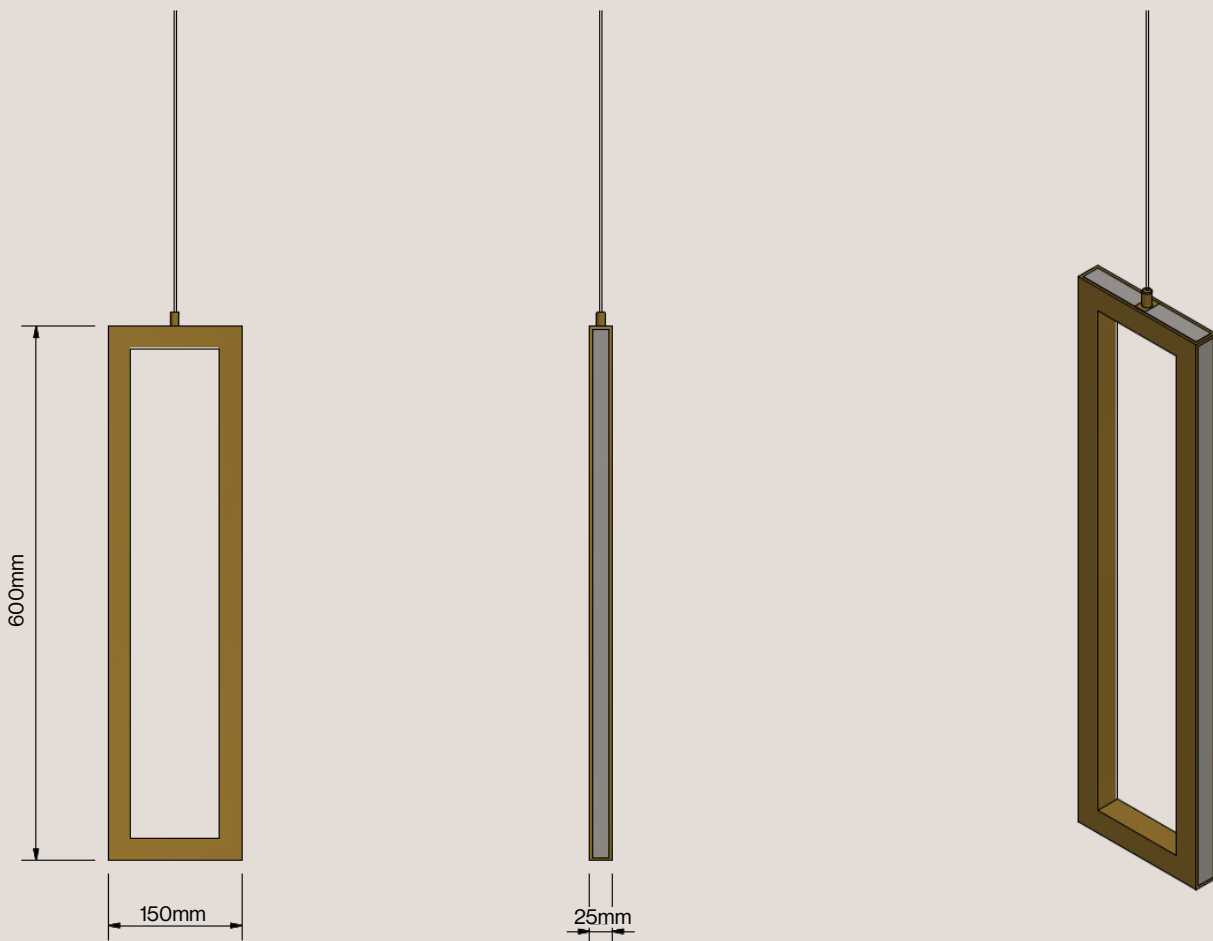


Product Details

Wire Specifications (for 600 L x 150 H x 25 D vertical Elevation Pendant)

All hanging wires are supplied at standard length of 1.8 metres and electrical cable is supplied at the standard length of 3 metres long.

Please note: The electrical cable runs up one of the hanging support wires and both are encased in a clear plastic sleeve.



Product Details

Wire Specifications (for 900 L x 150 H x 25 D vertical Elevation Pendant)

All hanging wires are supplied at standard length of 1.8 metres and electrical cable is supplied at the standard length of 3 metres long.

Please note: The electrical cable runs up one of the hanging support wires and both are encased in a clear plastic sleeve.

