

# Entrada Round Bar Handle

## Technical Specifications



## Product Details

### Dimensions (mm)

600, 900, 1200 L x 25 Dia

### Material

Solid Brass

### Finishes

Aged Brass  
Blackened Brass

All finishes are sealed with a clear satin lacquer unless specified otherwise.

### Mounting Hardware Included

Yes

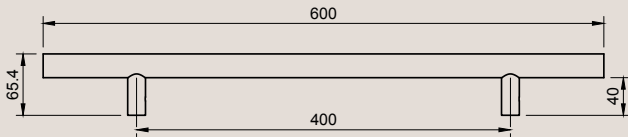
### Screw / Bolt Type

M5

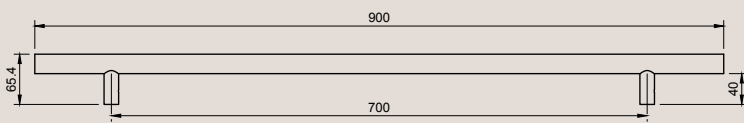
### Mounts From

Back

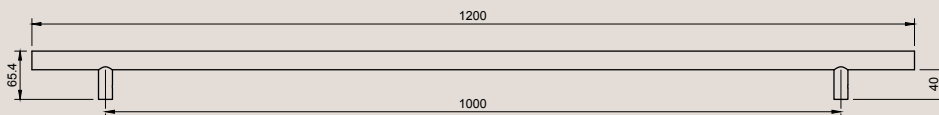
### Dimensions Guide



**Handle Length:** 600mm  
**Handle Width:** 25mm

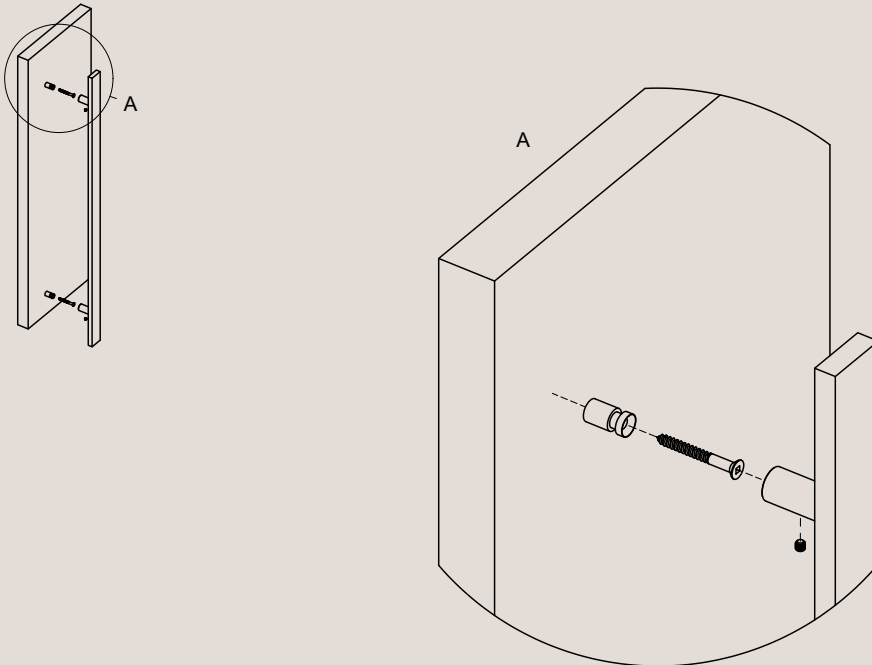


**Handle Length:** 900mm  
**Handle Width:** 25mm

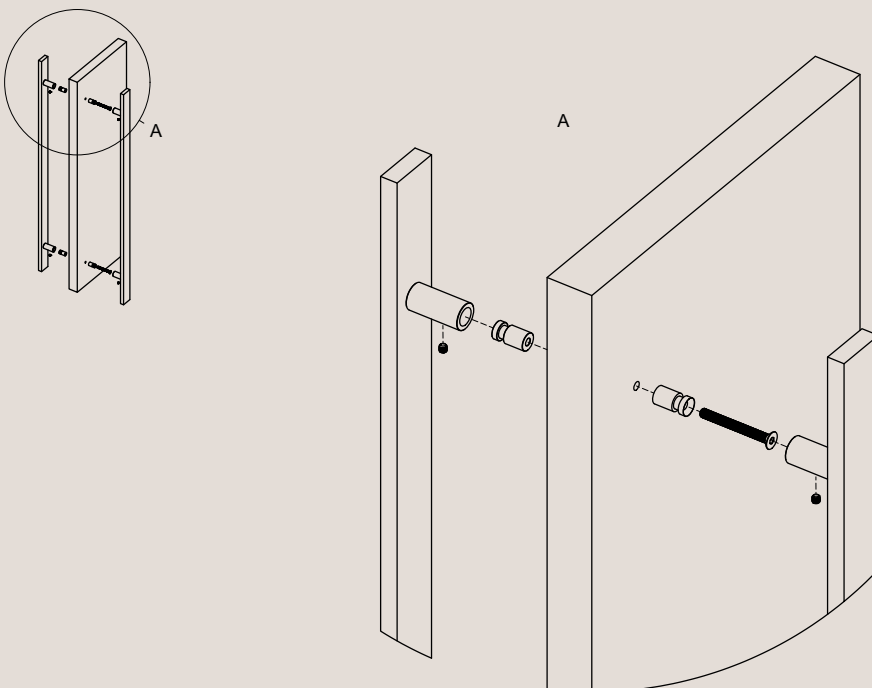


**Handle Length:** 1200mm  
**Handle Width:** 25mm

## Blind Hole Mounted Guide



## Back To Back Mounted Guide



## Entrada Round Bar Handle

---

## Technical Specifications

---

### Product Care

- Regular gentle care and maintenance will preserve and extend the life of your product.
- We suggest cleaning weekly, remove dust with a dry soft microfibre cloth, a damp microfibre cloth may be also be used for tougher areas.
- We recommend only using water. Avoid using cleaning products, oils, and other polishes as they may cause permanent damage.
- We recommend wearing gloves when installing and cleaning your products.
- Do not leave moisture, cleaning products, or solutions on the surface of our products as they may erode the lacquer.