

Lateral Pendant

Technical Specifications



Product Details

Lighting Specifications

3K Warm white
19.2 Watts per metre
1140 Lumens per metre
24 Volt
Dimmable

Please note

Each light includes an auxiliary dimmable transformer.

Note for electrician:
White cable wire = Positive
Clear cable wire = Negative

Material

Solid Brass

Finishes

Brushed Brass
Aged Brass
Blackened Brass

Please note

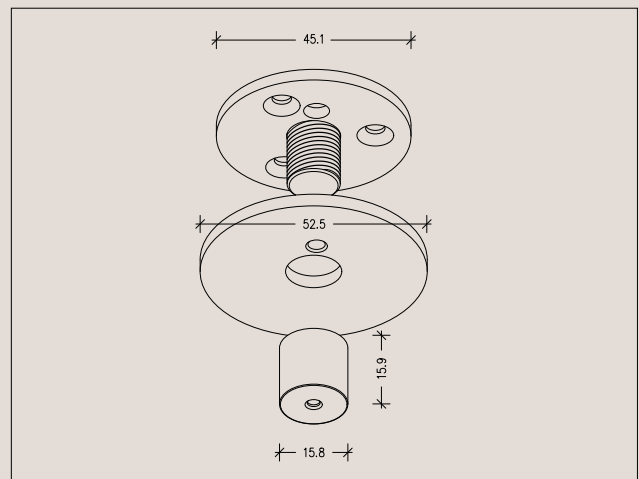
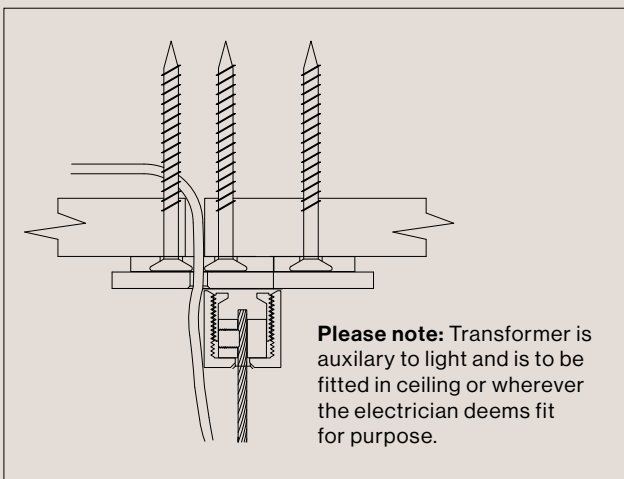
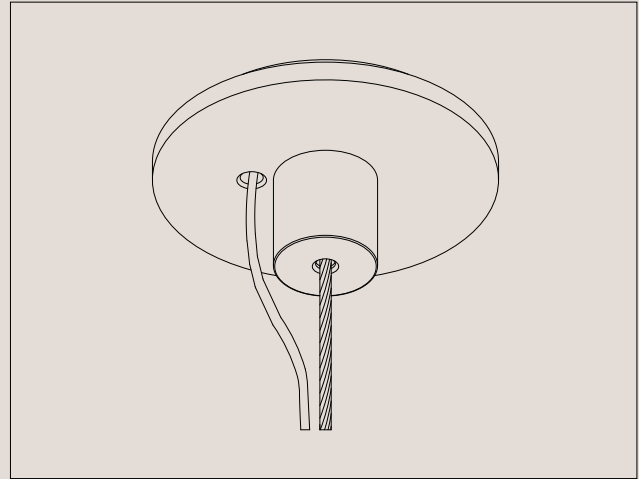
All finishes are sealed with a clear satin lacquer unless specified otherwise.

Product Dimensions (mm)

1800 L x 25 H x 25 D
2200 L x 25 H x 25 D
2800 L x 25 H x 25 D
3200 L x 25 H x 25 D

Product Details

Ceiling Rose Detail



Product Care

- Regular gentle care and maintenance will preserve and extend the life of your product.
- We suggest cleaning weekly, remove dust with a dry soft microfibre cloth, a damp microfibre cloth may be also be used for tougher areas.
- We recommend only using water. Avoid using cleaning products, oils, and other polishes as they may cause permanent damage.
- We recommend wearing gloves when installing and cleaning your products.
- Do not leave moisture, cleaning products, or solutions on the surface of our products as they may erode the lacquer.

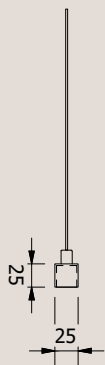
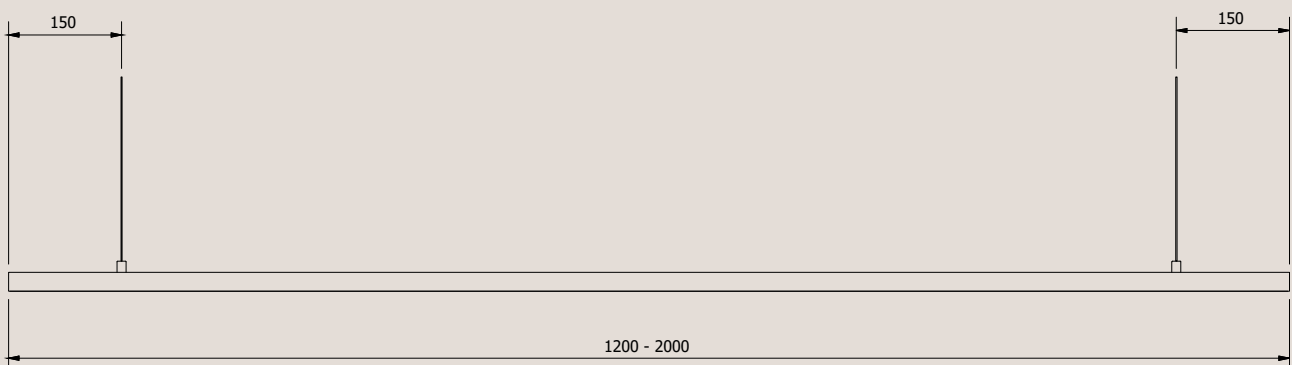
Product Details

Wire Specifications (for 1200 - 2000mm long Lateral Lights)

All hanging wires are supplied at standard length of 1.8 metres and electrical cable is supplied at the standard length of 3 metres long.

For lights between 1200 - 2000mm L, the standard hanging wires & electrical cable will be inset 150mm in from each end of the light.

Please note: The electrical cable runs up one of the hanging support wires and both are encased in a clear plastic sleeve.



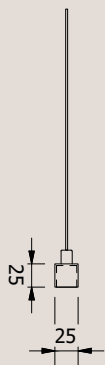
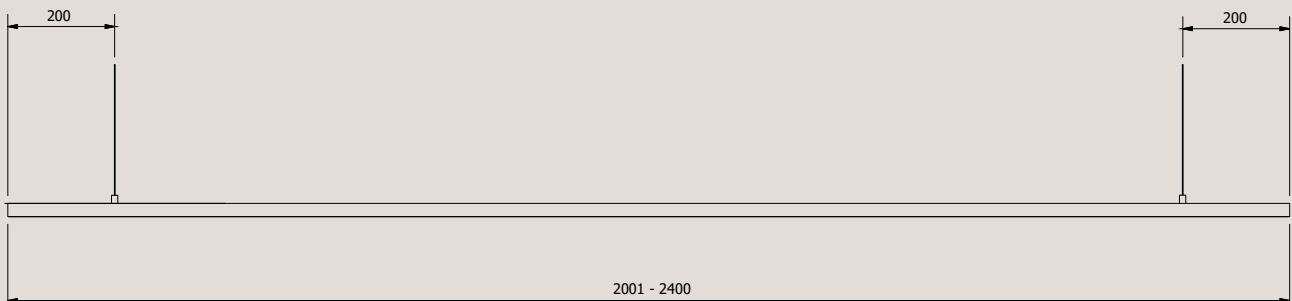
Product Details

Wire Specifications (for 2001 - 2400mm long Lateral Lights)

All hanging wires are supplied at standard length of 1.8 metres and electrical cable is supplied at the standard length of 3 metres long.

For lights between 2001 - 2400mm L, the standard hanging wires & electrical cable will be inset 200mm in from each end of the light.

Please note: The electrical cable runs up one of the hanging support wires and both are encased in a clear plastic sleeve.



Lateral Pendant

Technical Specifications

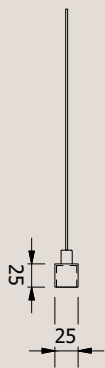
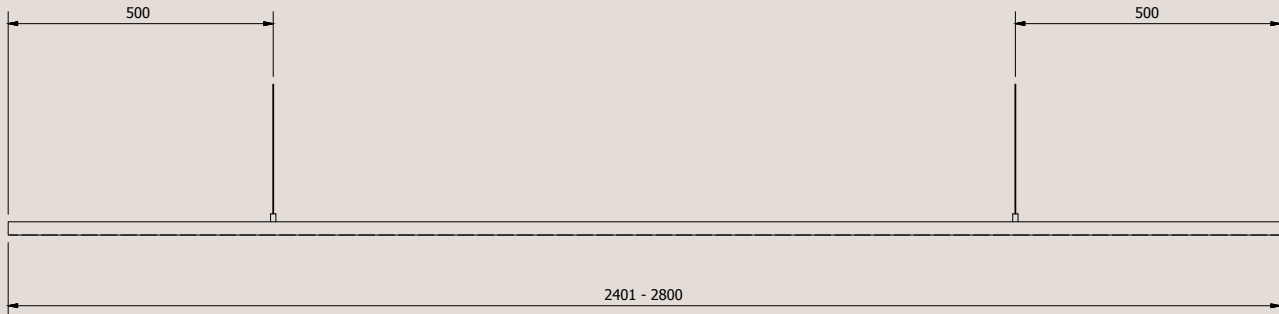
Product Details

Wire Specifications (for 2401 - 2800mm long Lateral Lights)

All hanging wires are supplied at standard length of 1.8 metres and electrical cable is supplied at the standard length of 3 metres long.

For lights between 2401 - 2800mm L, the standard hanging wires & electrical cable will be inset 500mm in from each end of the light.

Please note: The electrical cable runs up one of the hanging support wires and both are encased in a clear plastic sleeve.



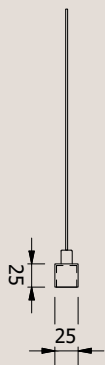
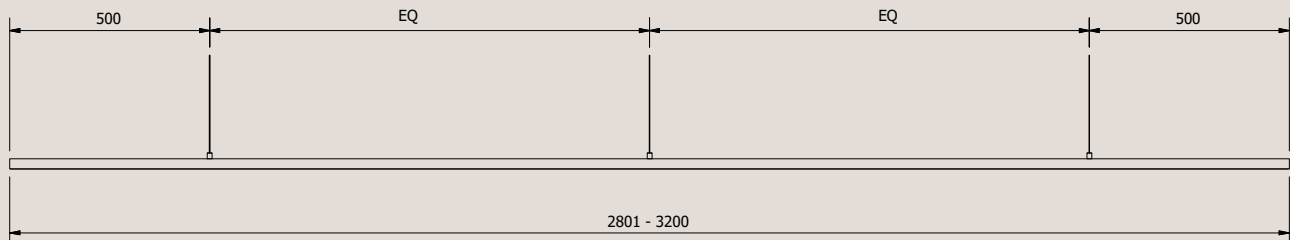
Product Details

Wire Specifications (for 2801 - 3000mm long Lateral Lights)

All hanging wires are supplied at standard length of 1.8 metres and electrical cable is supplied at the standard length of 3 metres long.

For lights between 2801 - 3000mm L, the standard hanging wires & electrical cable will be inset 500mm in from each end of the light.

Please note: The electrical cable runs up one of the hanging support wires and both are encased in a clear plastic sleeve.



Product Details

Wire Specifications (for 3201 - 3600mm long Lateral Lights)

All hanging wires are supplied at standard length of 1.8 metres and electrical cable is supplied at the standard length of 3 metres long.

For lights between 3201 - 3600mm L, the standard hanging wires & electrical cable will be inset 500mm in from each end of the light.

Please note: The electrical cable runs up one of the hanging support wires and both are encased in a clear plastic sleeve.

