

## Link Pendant

## Technical Specifications



## Product Details

### Lighting Specifications

3K Warm white  
19.2 Watts per metre  
1140 Lumens per metre  
24 Volt  
Dimmable

**Please note:**  
Each light includes  
an auxiliary dimmable  
transformer.

**Note for electrician:**  
White cable wire = Positive  
Clear cable wire = Negative

### Material

Solid Brass

### Finishes

Brushed Brass  
Aged Brass  
Blackened Brass

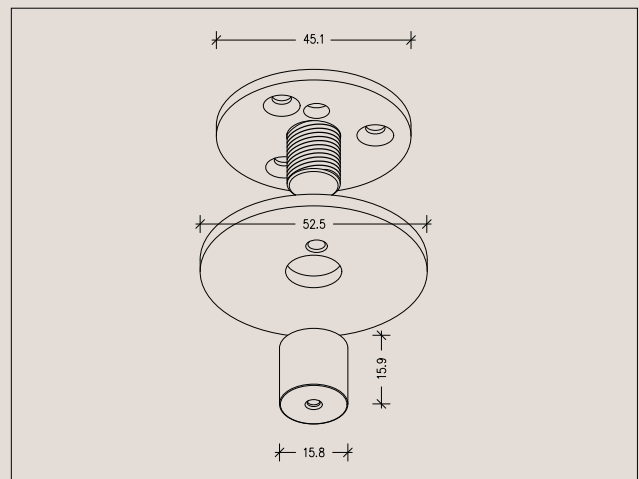
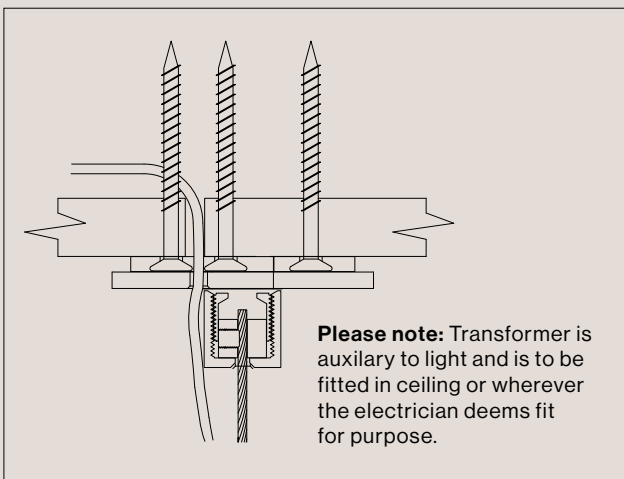
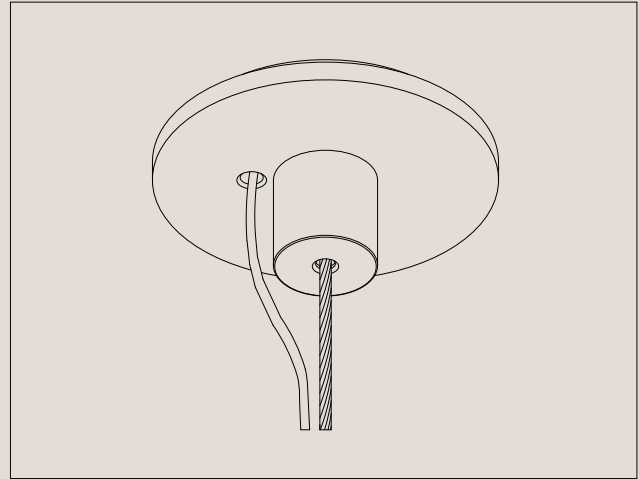
**Please note:**  
All finishes are  
sealed with a clear  
satin lacquer unless  
specified otherwise.

### Product Dimensions (mm)

1670 L  
2370 L

## Product Details

### Ceiling Rose Detail



## Product Care

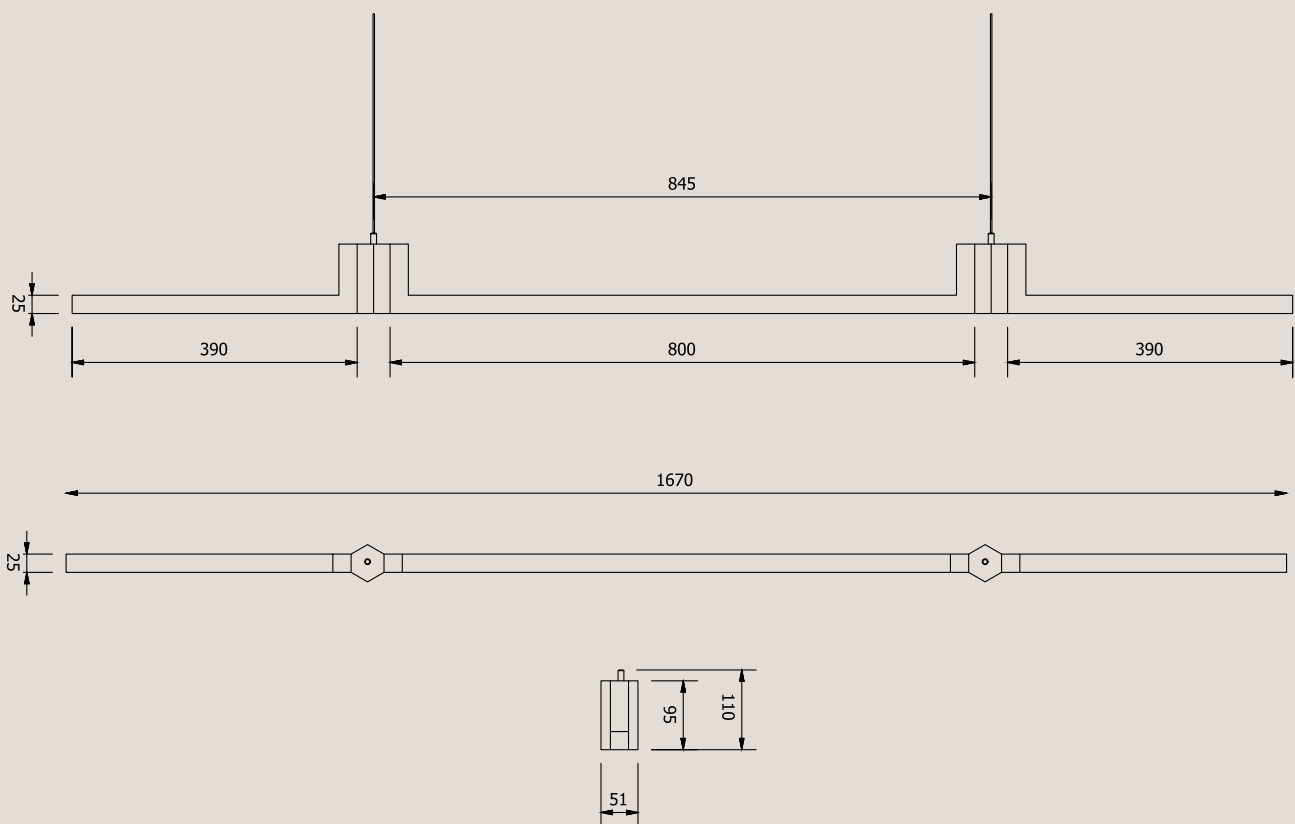
- Regular gentle care and maintenance will preserve and extend the life of your product.
- We suggest cleaning weekly, remove dust with a dry soft microfibre cloth, a damp microfibre cloth may be also be used for tougher areas.
- We recommend only using water. Avoid using cleaning products, oils, and other polishes as they may cause permanent damage.
- We recommend wearing gloves when installing and cleaning your products.
- Do not leave moisture, cleaning products, or solutions on the surface of our products as they may erode the lacquer.

## Product Details

### Wire Specifications (for 1670mm Link Pendant)

All hanging wires are supplied at standard length of 1.8 metres and electrical cable is supplied at the standard length of 3 metres long.

**Please note:** The electrical cable runs up one of the hanging support wires and both are encased in a clear plastic sleeve.



## Product Details

### Wire Specifications (for 2370mm Link Pendant)

All hanging wires are supplied at standard length of 1.8 metres and electrical cable is supplied at the standard length of 3 metres long.

**Please note:** The electrical cable runs up one of the hanging support wires and both are encased in a clear plastic sleeve.

