

Link Pendant

Technical Specifications



Product Details

Lighting Specifications

3K Warm white
19.2 Watts per metre
1140 Lumens per metre
24 Volt
Dimmable

Please note:
Each light includes
an auxiliary dimmable
transformer.

Note for electrician:
White cable wire = Positive
Clear cable wire = Negative

Material

Solid Brass

Finishes

Brushed Brass
Aged Brass
Blackened Brass

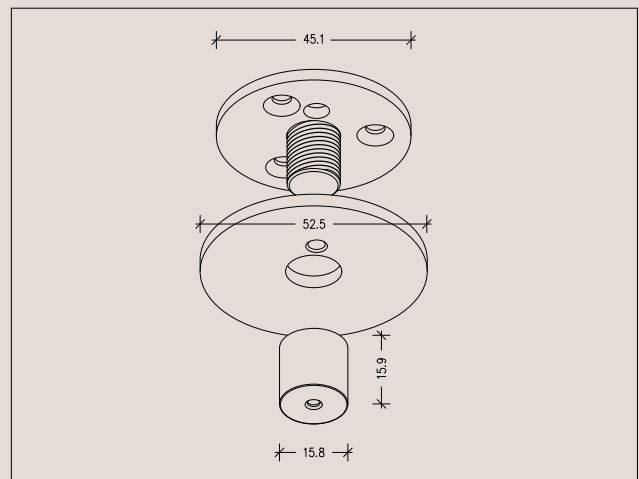
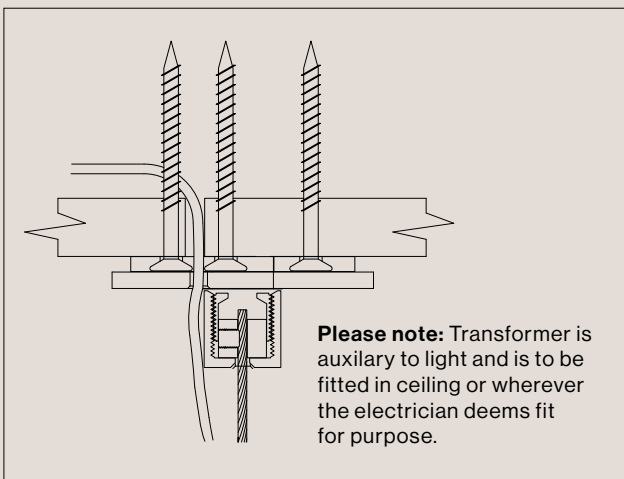
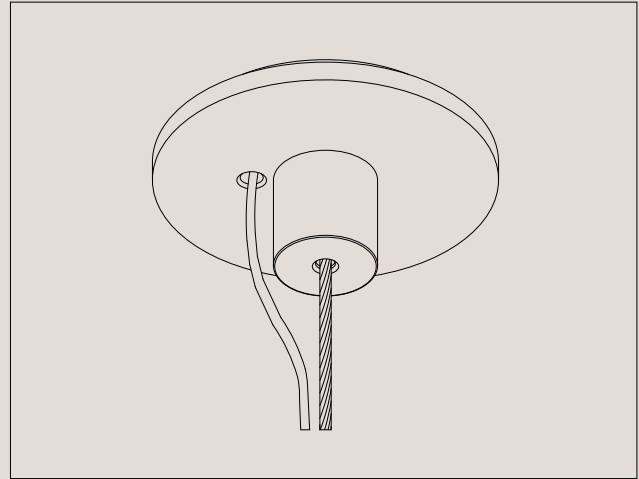
Please note:
All finishes are
sealed with a clear
satin lacquer unless
specified otherwise.

Product Dimensions (mm)

1670 L
2370 L

Product Details

Ceiling Rose Detail



Product Care

- Regular gentle care and maintenance will preserve and extend the life of your product.
- We suggest cleaning weekly, remove dust with a dry soft microfibre cloth, a damp microfibre cloth may be also be used for tougher areas.
- We recommend only using water. Avoid using cleaning products, oils, and other polishes as they may cause permanent damage.
- We recommend wearing gloves when installing and cleaning your products.
- Do not leave moisture, cleaning products, or solutions on the surface of our products as they may erode the lacquer.

Product Details

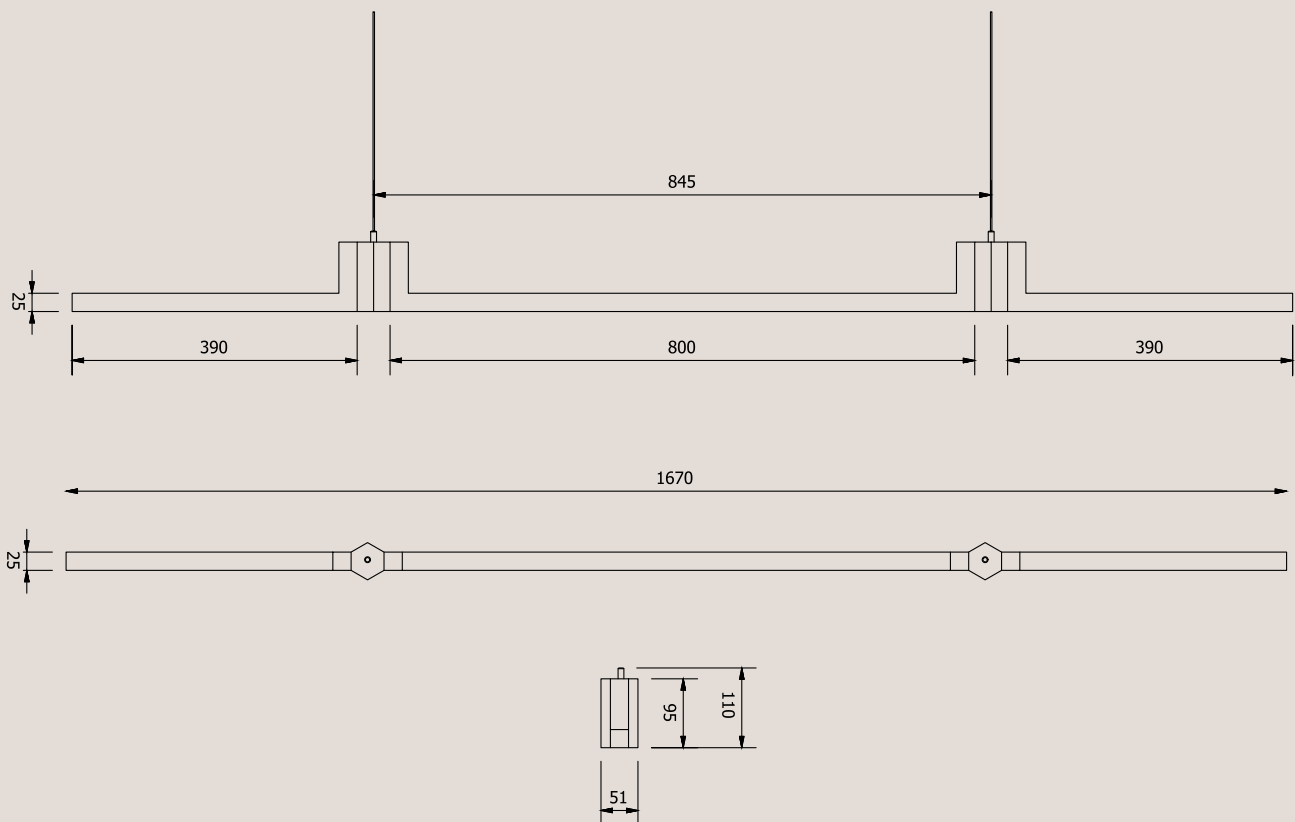
Wire Specifications (for 1670mm Link Pendant)

All hanging wires are supplied at standard length of 1.8 metres and electrical cable is supplied at the standard length of 3 metres long.

Please note: The electrical cable runs up one of the hanging support wires and both are encased in a clear plastic sleeve.

Transformer Specifications

Wattage: 40
Dimensions: 135 x 50 x 30mm



Product Details

Wire Specifications (for 2370mm Link Pendant)

All hanging wires are supplied at standard length of 1.8 metres and electrical cable is supplied at the standard length of 3 metres long.

Please note: The electrical cable runs up one of the hanging support wires and both are encased in a clear plastic sleeve.

Transformer Specifications

Wattage: 60
Dimensions: 135 x 50 x 30mm

