

# Lito Trio Pendant

## Technical Specifications



## Product Details

### Lighting Specifications

3K Warm white  
19.2 Watts per metre  
1140 Lumens per metre  
24 Volt  
Dimmable

**Please note**  
Each light includes  
an auxiliary dimmable  
transformer.

**Note for electrician:**  
White cable wire = Positive  
Clear cable wire = Negative

### Material

Solid Brass

### Finishes

Brushed Brass  
Aged Brass  
Blackened Brass

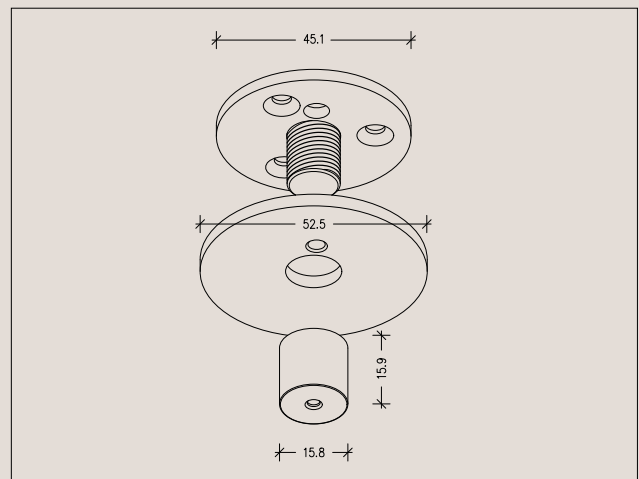
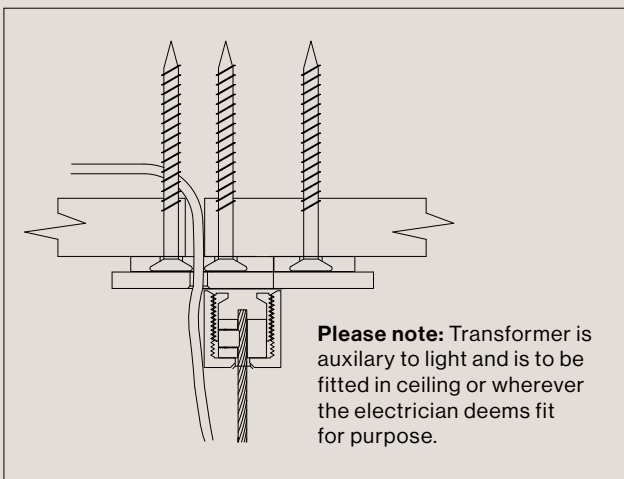
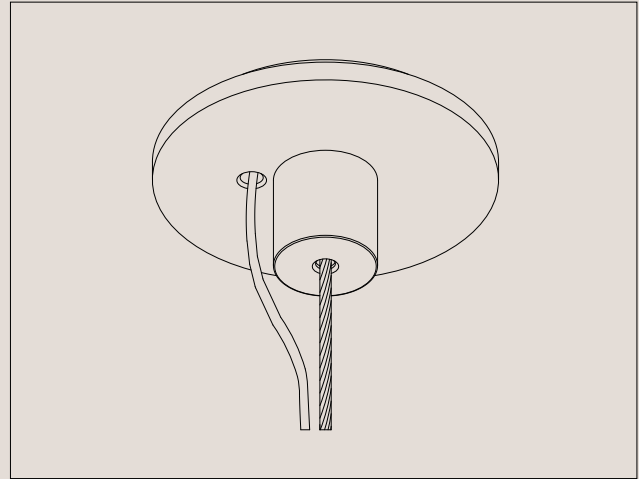
All finishes are sealed with a clear satin lacquer  
unless specified otherwise.

### Ceiling Height

This will be long enough to suit a floor-to-ceiling  
(stud) height at a maximum of 3600 metres.

### Product Details

#### Ceiling Rose Detail



### Product Care

- Regular gentle care and maintenance will preserve and extend the life of your product.
- We suggest cleaning weekly, remove dust with a dry soft microfibre cloth, a damp microfibre cloth may be also be used for tougher areas.
- We recommend only using water. Avoid using cleaning products, oils, and other polishes as they may cause permanent damage.
- We recommend wearing gloves when installing and cleaning your products.
- Do not leave moisture, cleaning products, or solutions on the surface of our products as they may erode the lacquer.

# Lito Trio Pendant

## Technical Specifications

### Product Details

#### Wire Specifications

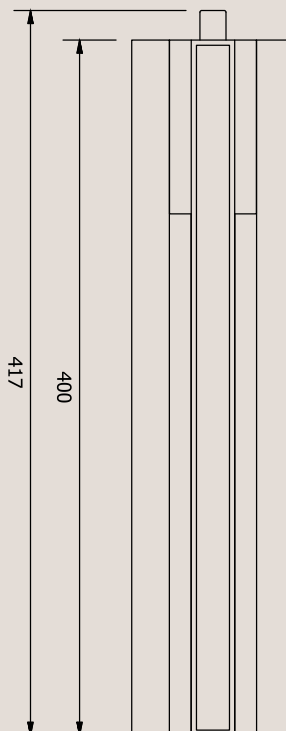
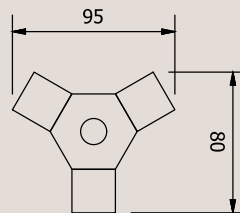
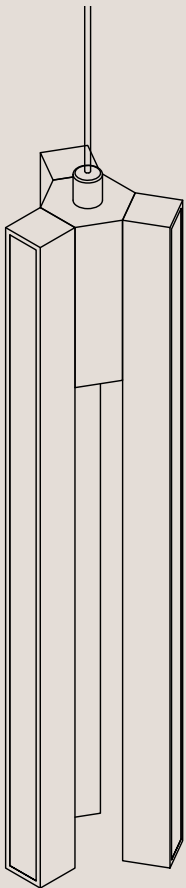
Standard length of hanging wire is 1.8 metres.  
Standard length of hanging electrical cable is 3 metres.

#### Dimensions (mm)

400 H x 100 Dia

#### Transformer Specifications

**Wattage:** 40  
**Dimensions:** 135 x 50 x 30mm



**Please note:** the electrical cable runs up one of the end hanging support wires and is encased in a clear plastic sleeve.