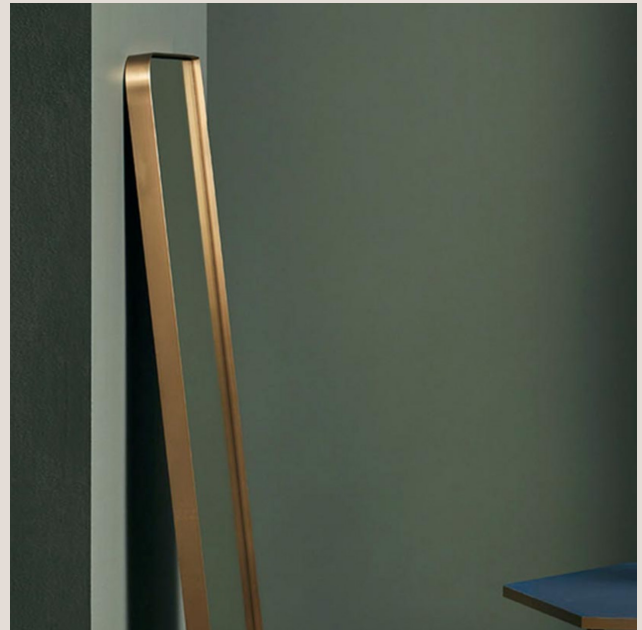


## Oblique Mirror

## Technical Specifications



## Product Details

### Dimensions (mm)

600mm x 1200mm Dia  
800mm x 1600mm Dia  
900mm x 1800mm Dia

### Material

3mm Brass

### Finishes

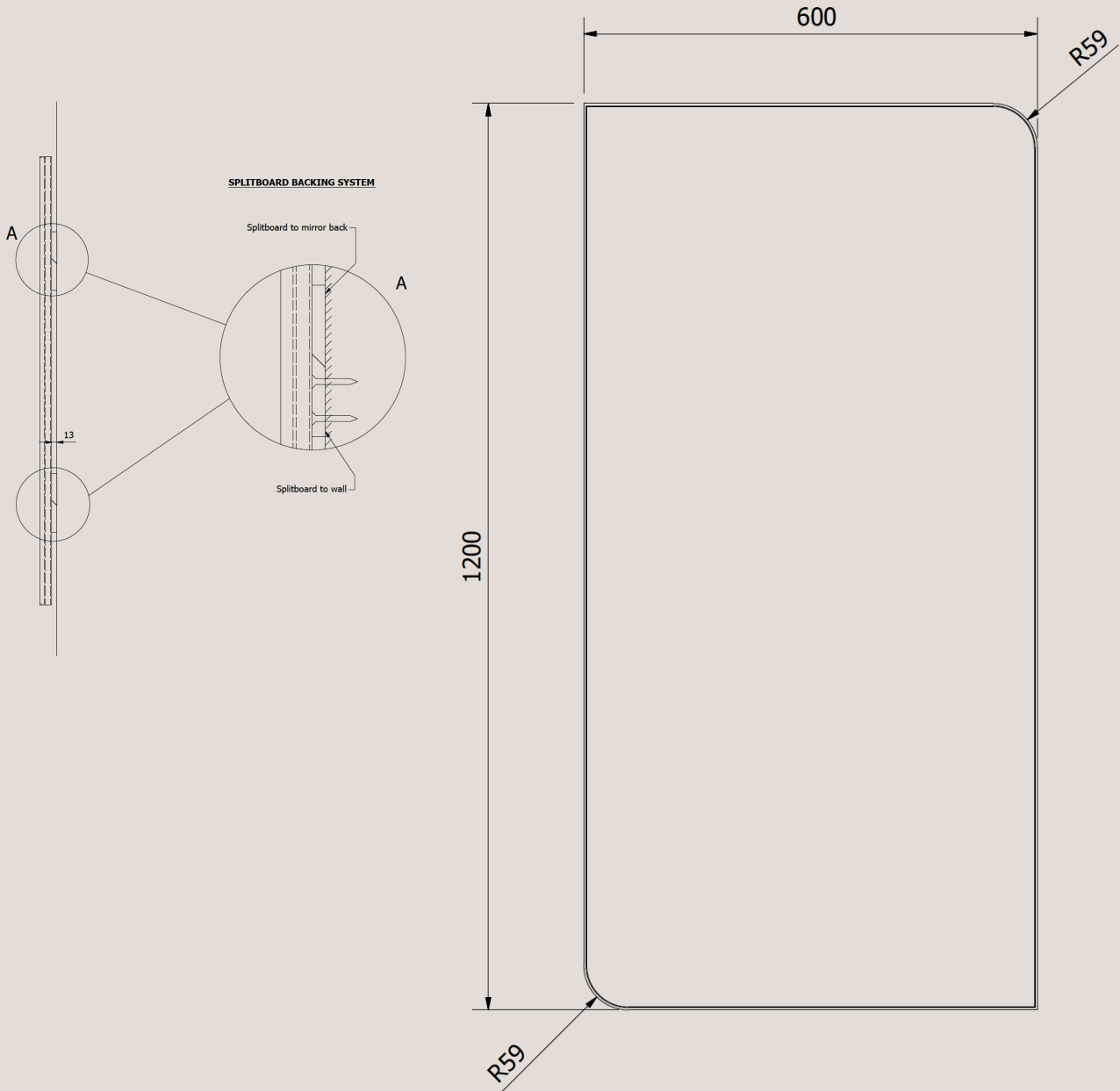
Brushed Brass  
Aged Brass  
Blackened Brass

All finishes are sealed with a clear satin lacquer unless specified otherwise.

### Mounting Hardware Included

Split board bracket supplied for hanging

## Dimensions Guide



## Oblique Mirror

---

## Technical Specifications

---

### Product Care

- Regular gentle care and maintenance will preserve and extend the life of your product.
- We suggest cleaning weekly, remove dust with a dry soft microfibre cloth, a damp microfibre cloth may be also be used for tougher areas.
- We recommend only using water. Avoid using cleaning products, oils, and other polishes as they may cause permanent damage.
- We recommend wearing gloves when installing and cleaning your products.
- Do not leave moisture, cleaning products, or solutions on the surface of our products as they may erode the lacquer.