

# Stainless Steel Entrada Etch Divide Handle

## Technical Specifications



## Product Details

### Dimensions (mm)

900, 1200 L x 25 Dia

### Material

Stainless Steel

### Finishes

Stainless Steel

All finishes are sealed with a clear hand wax.

### Mounting Hardware Included

Yes

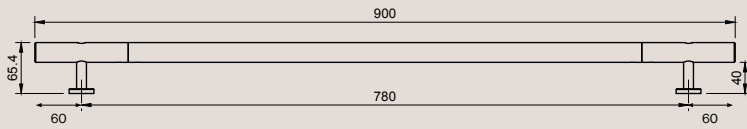
### Screw / Bolt Type

M5

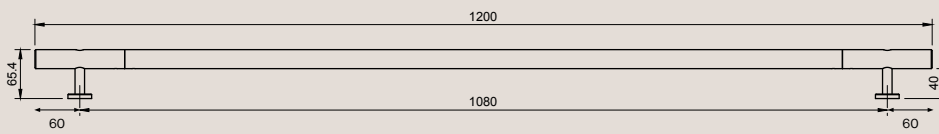
### Mounts From

Back

### Dimensions Guide



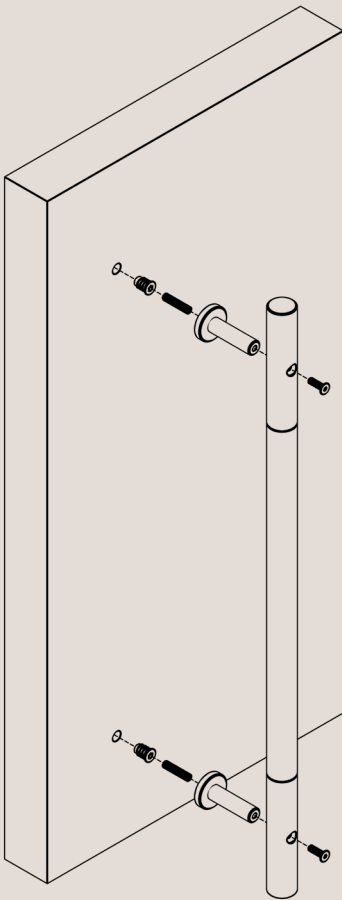
**Handle Length:** 900mm  
**Handle Diameter:** 25mm



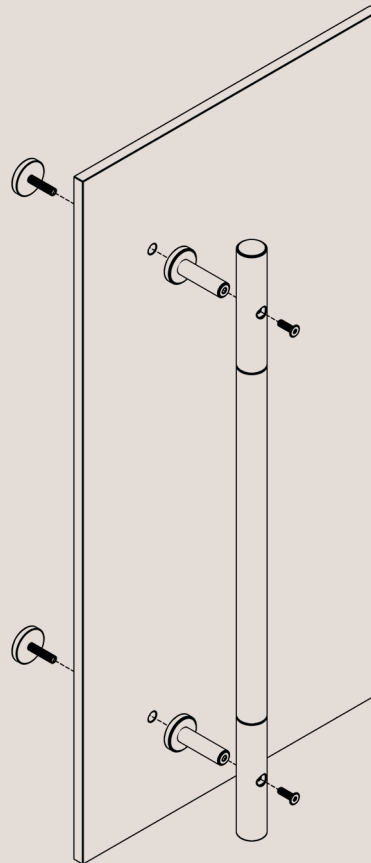
**Handle Length:** 1200mm  
**Handle Diameter:** 25mm

### Blind Hole Mounted Guide

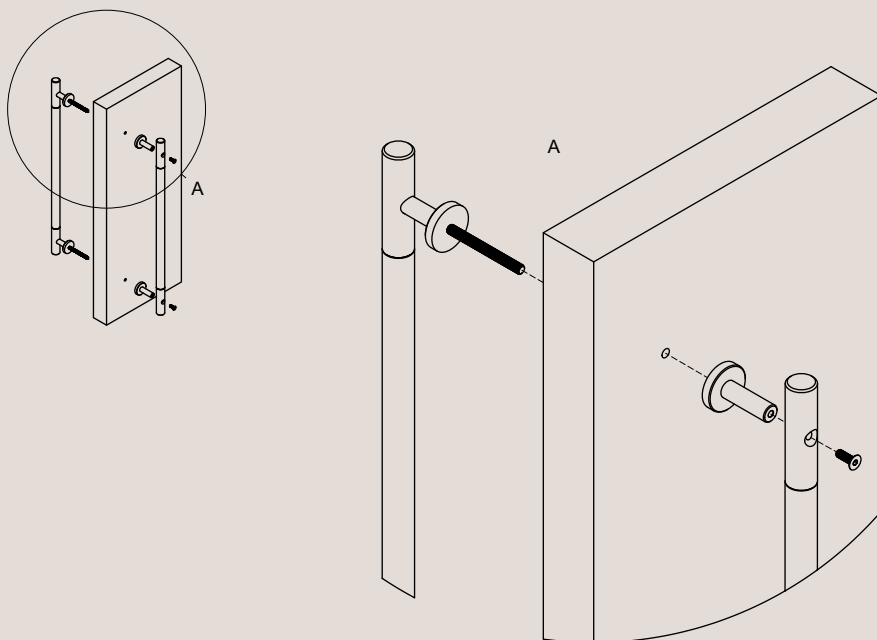
#### Blind fixing for wood



#### Blind fixing for glass



### Back To Back Mounted Guide



### Product Care

- Regular gentle care and maintenance will preserve and extend the life of your product.
- We suggest cleaning weekly, remove dust with a dry soft microfibre cloth, a damp microfibre cloth may be also be used for tougher areas.
- We recommend only using water. Avoid using cleaning products, oils, and other polishes as they may cause permanent damage.
- We recommend wearing gloves when installing and cleaning your products.
- Do not leave moisture, cleaning products, or solutions on the surface of our products as they may erode the lacquer.
- To reinvigorate the finish of your product , a new coating of wax can be applied or use a 3M Stainless Steel cleaning product to bring back your products lustre.