

## Twofold Dual Lateral

## Technical Specifications



## Product Details

### Lighting Specifications

3K Warm white  
19.2 Watts per metre  
1140 Lumens per metre  
24 Volt  
Dimmable

#### **Please note:**

Each light includes an auxiliary dimmable transformer.

#### **Note for electrician:**

White cable wire = Positive  
Clear cable wire = Negative

### Material

Solid Brass

### Finishes

Brushed Brass  
Aged Brass  
Blackened Brass

#### **Please note:**

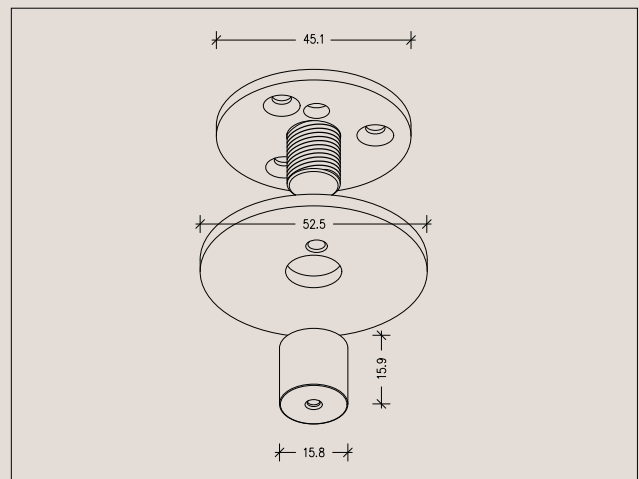
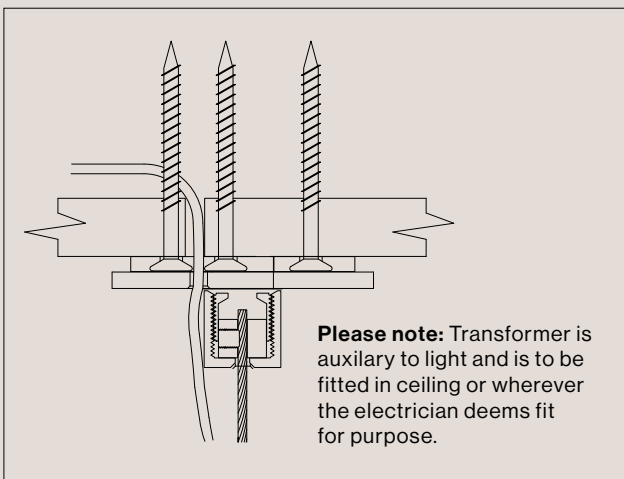
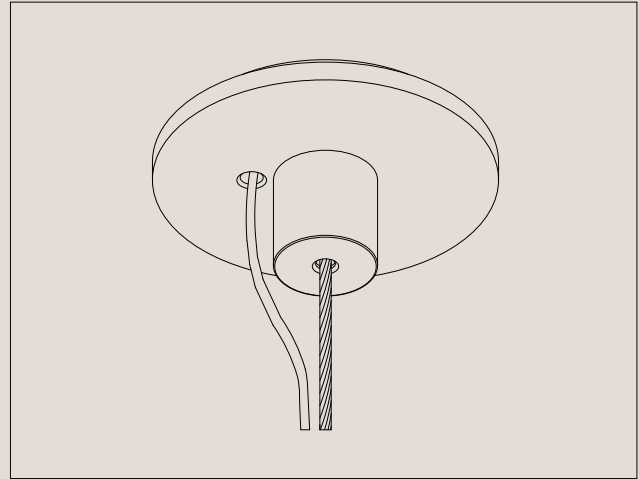
All finishes are sealed with a clear satin lacquer unless specified otherwise.

### Product Dimensions (mm)

1800 L x 100 H x 25 D  
2200 L x 100 H x 25 D  
2800 L x 100 H x 25 D  
3200 L x 100 H x 25 D

## Product Details

### Ceiling Rose Detail



## Product Care

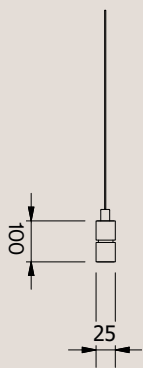
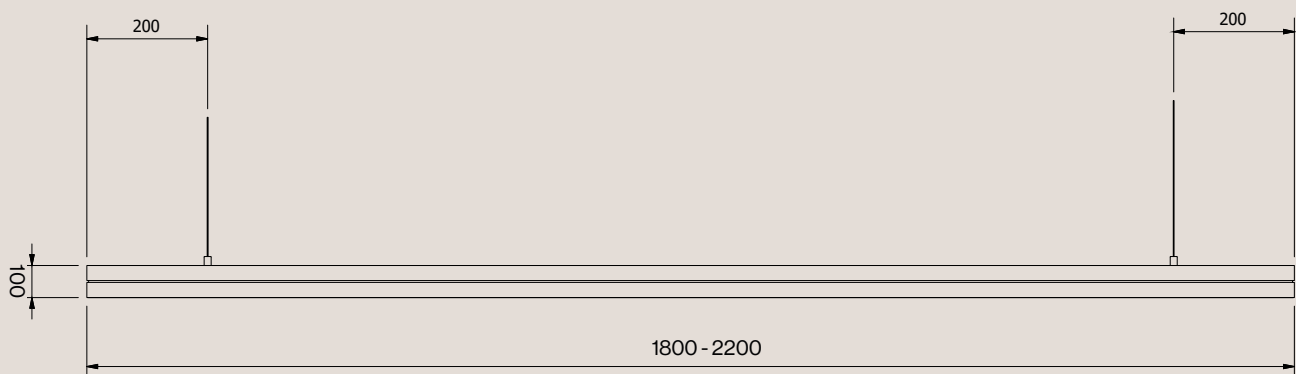
- Regular gentle care and maintenance will preserve and extend the life of your product.
- We suggest cleaning weekly, remove dust with a dry soft microfibre cloth, a damp microfibre cloth may be also be used for tougher areas.
- We recommend only using water. Avoid using cleaning products, oils, and other polishes as they may cause permanent damage.
- We recommend wearing gloves when installing and cleaning your products.
- Do not leave moisture, cleaning products, or solutions on the surface of our products as they may erode the lacquer.

### Product Details

#### Wire Specifications (for 1800 -2200mm long Twofold Dual Lateral)

All hanging wires are supplied at standard length of 1.8 metres and electrical cable is supplied at the standard length of 3 metres long.

**Please note:** The electrical cable runs up one of the hanging support wires and both are encased in a clear plastic sleeve.

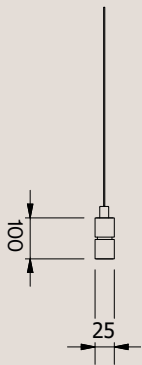
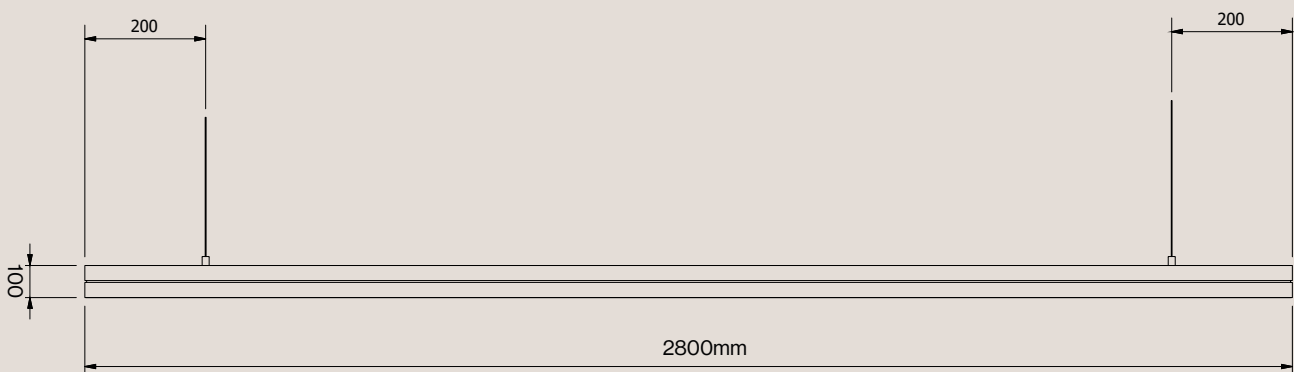


### Product Details

#### Wire Specifications (for 2800mm long Twofold Dual Lateral)

All hanging wires are supplied at standard length of 1.8 metres and electrical cable is supplied at the standard length of 3 metres long.

**Please note:** The electrical cable runs up one of the hanging support wires and both are encased in a clear plastic sleeve.



### Product Details

#### Wire Specifications (for 3200mm long Twofold Dual Lateral)

All hanging wires are supplied at standard length of 1.8 metres and electrical cable is supplied at the standard length of 3 metres long.

**Please note:** The electrical cable runs up one of the hanging support wires and both are encased in a clear plastic sleeve.

