

## Lateral Pendant

## Technical Specifications



## Product Details

### Lighting Specifications

3K Warm white  
19.2 Watts per metre  
1140 Lumens per metre  
24 Volt  
Dimmable

### Please note

Each light includes an auxiliary dimmable transformer.

Note for electrician:  
White cable wire = Positive  
Clear cable wire = Negative

### Material

Solid Brass

### Finishes

Brushed Brass  
Aged Brass  
Blackened Brass

### Please note

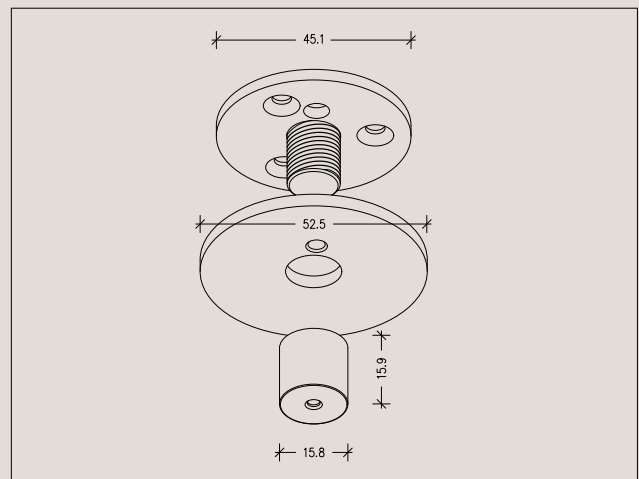
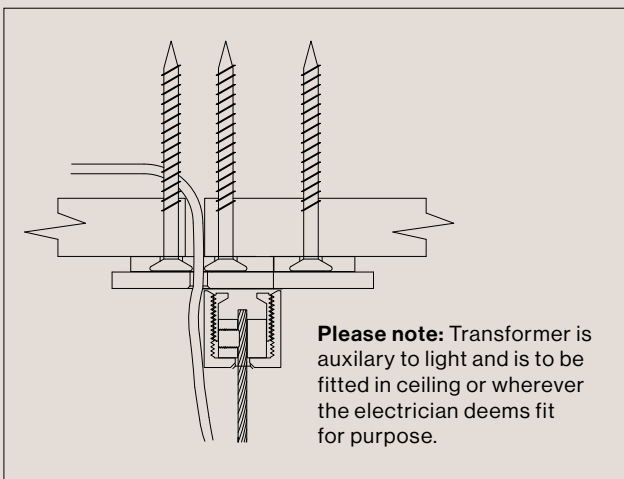
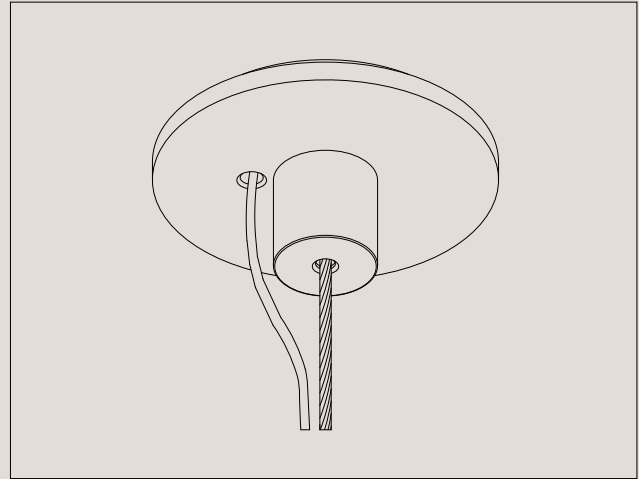
All finishes are sealed with a clear satin lacquer unless specified otherwise.

### Product Dimensions (mm)

1800 L x 25 H x 25 D  
2200 L x 25 H x 25 D  
2800 L x 25 H x 25 D

## Product Details

### Ceiling Rose Detail



## Product Care

- **DO NOT USE** cleaning products, oils, and other polishes as they may cause permanent damage.
- Regular gentle care and maintenance will preserve and extend the life of your product.
- We suggest cleaning weekly, remove dust with a dry soft microfibre cloth, a damp microfibre cloth may be also be used for tougher areas.
- We recommend only using water.
- Do not leave moisture, cleaning products, or solutions on the surface of our products as they may erode the lacquer.
- We recommend wearing gloves when installing and cleaning your products.

## Product Details

### Wire Specifications (for 1800mm long Lateral Pendant)

All hanging wires are supplied at standard length of 1.8 metres and electrical cable is supplied at the standard length of 3 metres long.

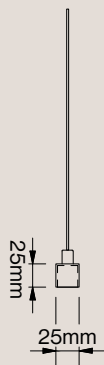
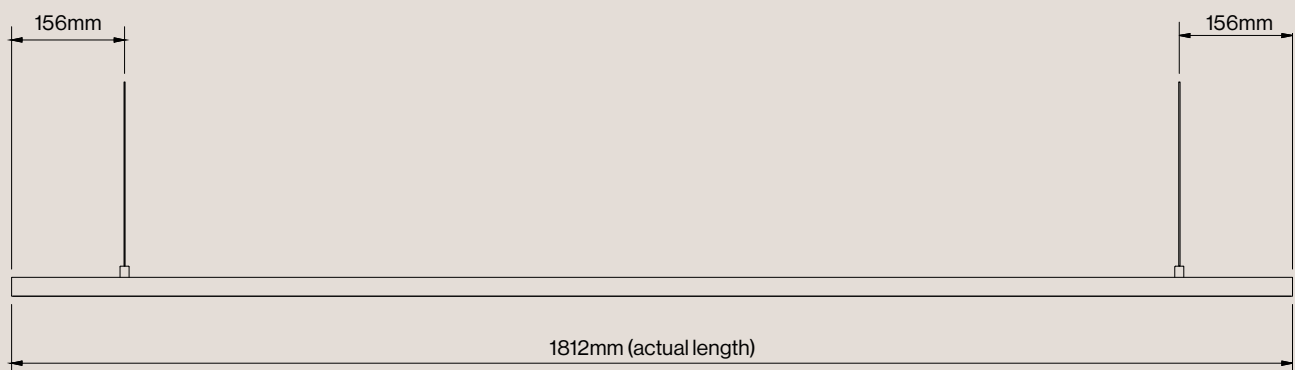
For the 1800mm long pendant, the standard hanging wires & electrical cable will be inset 156mm in from each end of the light.

**Please note:** The electrical cable runs up one of the hanging support wires and is encased in a clear plastic sleeve.

### Transformer Specifications

**Wattage:** 40

**Dimensions:** 135 x 50 x 30mm



# Lateral Pendant

# Technical Specifications

## Product Details

### Wire Specifications (for 2200mm long Lateral Pendant)

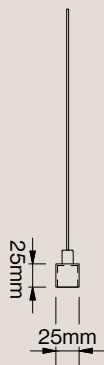
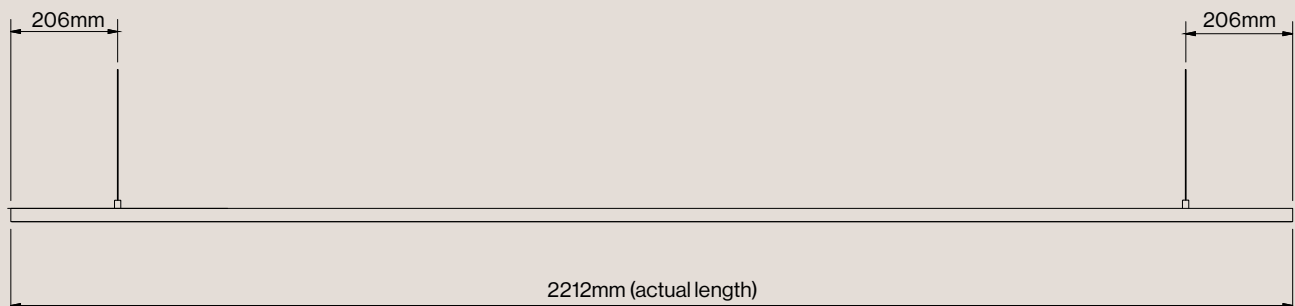
All hanging wires are supplied at standard length of 1.8 metres and electrical cable is supplied at the standard length of 3 metres long.

For the 2200mm long pendant, the standard hanging wires & electrical cable will be inset 206mm in from each end of the light.

**Please note:** The electrical cable runs up one of the hanging support wires and is encased in a clear plastic sleeve.

### Transformer Specifications

**Wattage:** 60  
**Dimensions:** 135 x 50 x 30mm



### Product Details

#### Wire Specifications (for 2800mm long Lateral Pendant)

All hanging wires are supplied at standard length of 1.8 metres and electrical cable is supplied at the standard length of 3 metres long.

For the 2800mm long pendant, the standard hanging wires & electrical cable will be inset 506mm in from each end of the light.

**Please note:** The electrical cable runs up one of the hanging support wires and is encased in a clear plastic sleeve.

#### Transformer Specifications

**Wattage:** 60

**Dimensions:** 135 x 50 x 30mm

